

Furniture



Curved Bench



Rectangular Bench



Stool

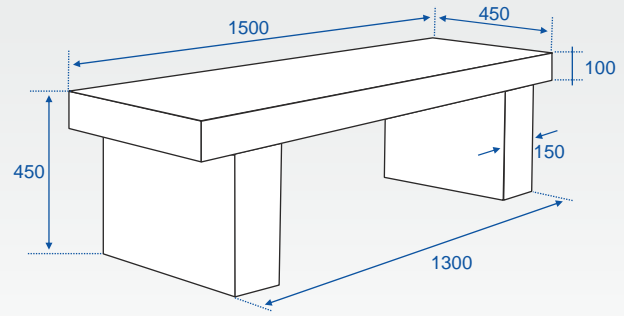
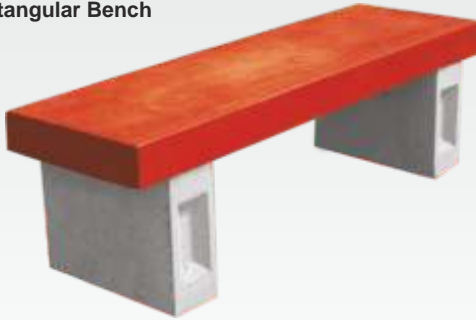


Cylindrical Bollard cum Stool

Specification

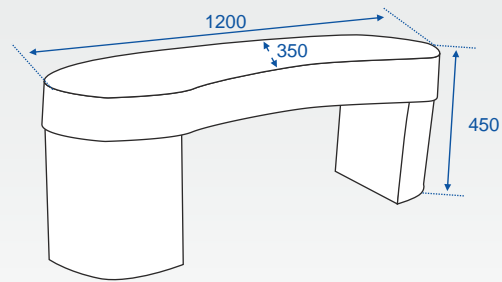


Rectangular Bench



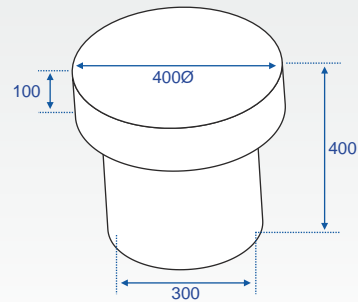
- Overall Dimensions: Platform size - 1500 mm length, 450 mm width, 100 mm thickness and 450 mm height with two legs of 150 mm thickness.
- Sitting Platform is in Red colour while the legs are in grey colour
- Manufactured by using M-30 grade of Concrete
- Suitably reinforced to promote long use and to prevent damage during handling, transportation & erection
- Treated with special anti-corrosive, water proof coating so as to make the surface glossy and waterproof

Curved Bench



- Overall Dimensions: Sitting Platform size - 1200mm length X 350 mm width X 450mm height
- Sitting Platform is in Red colour while the legs are in grey colour
- Manufactured by using M-30 grade of Concrete
- Suitably reinforced to promote long use and to prevent damage during handling, transportation & erection
- Treated with special anti-corrosive, water proof coating so as to make the surface glossy and waterproof

Cylindrical Stool



Cylindrical Bollard cum Stool Type III

