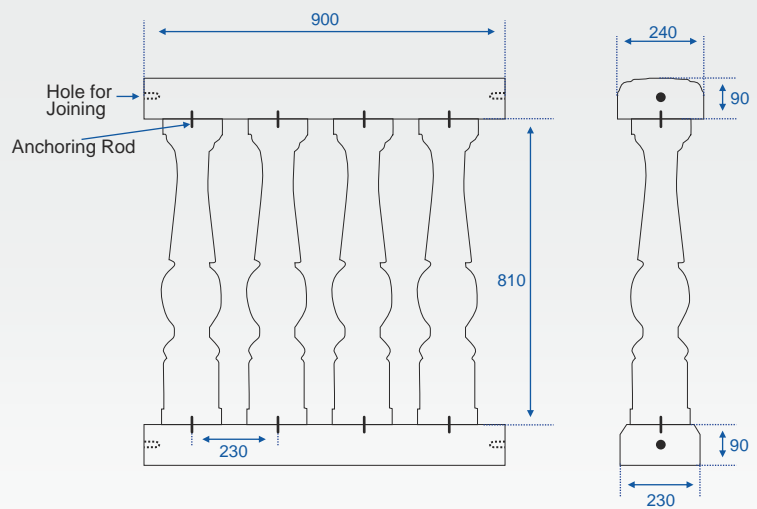


Balluster



Specification

- Overall Dimensions: Balluster Height-800mm; Bottom Rail-900mm Length X 230mm Breadth X 85 mm Thickness; Top Rail-900mm Length X 245mm Breadth X 95mm Thickness
- Modular system consisting of ballusters, top rail, and bottom rail
- Bottom and top rail have a 1 inch hole assist in connecting adjacent rails using a rubber
- Suitably Reinforced