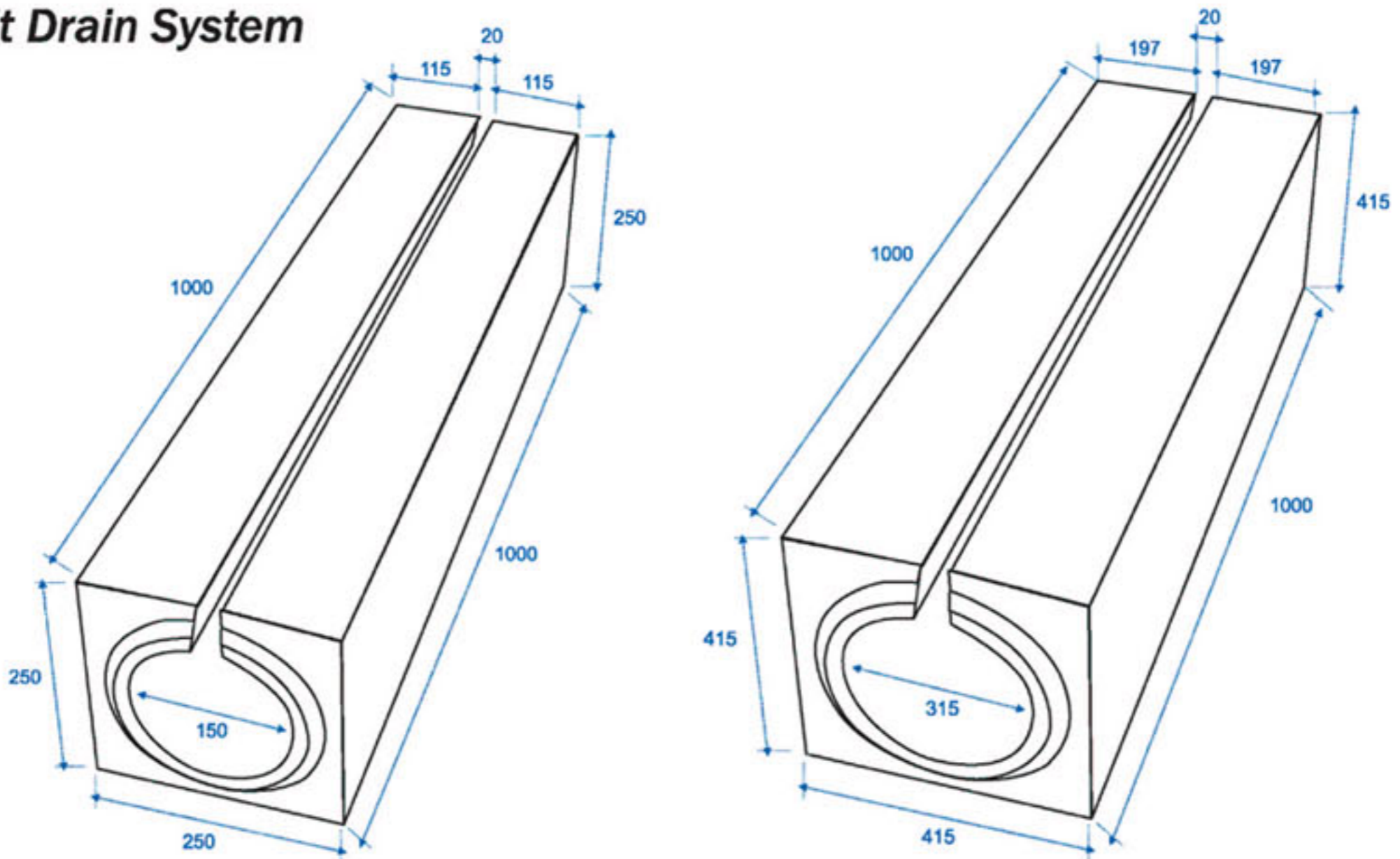


### Slit Drain System



Konkrete Precast Concrete Products are manufactured using the latest vibro-compaction techniques, accurately designed moulds, appropriate reinforcement with circular plastic spacers and a concrete grade of M30 and above. We can also produce customised products for your special needs, subject to large quantities. To order customised products, sizes, strength required and other necessary information needs to be sent. In our constant endeavour to improve the products, the specifications may change without notice. All dimensions are in mm

#### BENEFITS OF PRECAST CONCRETE

**DURABILITY** – STUDIES HAVE SHOWN THAT PRECAST CONCRETE PRODUCTS CAN PROVIDE A SERVICE LIFE IN EXCESS OF 100 YEARS. FOR SEVERE SERVICE CONDITIONS, ADDITIONAL DESIGN OPTIONS ARE AVAILABLE WHICH CAN EXTEND THE LIFE OF THE PRECAST CONCRETE PRODUCT. THIS IS EXTREMELY IMPORTANT WHEN CALCULATING LIFE-CYCLE COST FOR A PROJECT.