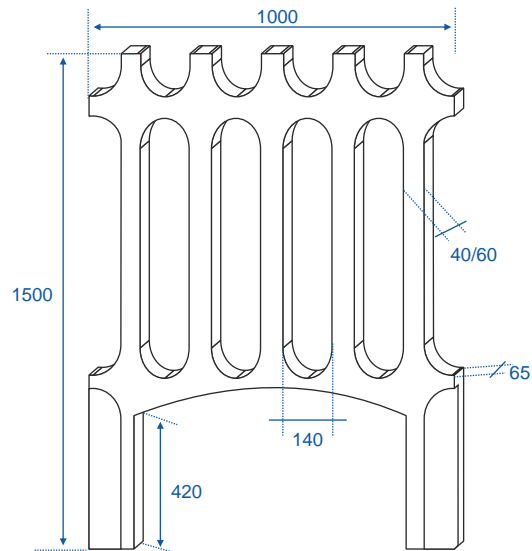




*Fence Majestic*  
International Airport, New Delhi



### Specification

- Overall Dimensions: 1500mm (Height) X 1000mm (Length) X 65mm (thickness)
- Manufactured with M-30 grade of concrete using vibro-compaction process using jointless FRP moulds so as to achieve shuttering finish.
- Suitably reinforced to promote long use and to prevent damage during handling, transportation & erection.