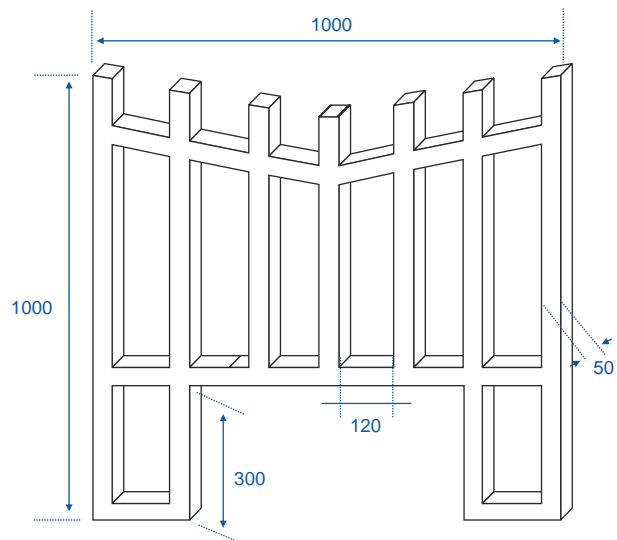


Fence, Bollard & Tree Guards



Fences "V" Shape
Traffic Training Park, Faridabad, Haryana



Specification

- Overall Dimensions: 1000mm (Height) X 1000mm (Length) X 50mm (thickness)
- Manufactured with M 30 grade of concrete using vibro-compaction process using jointless FRP moulds so as to achieve

shuttering finish .

- Suitably reinforced to promote long use and to prevent damage during handling, transportation & erection