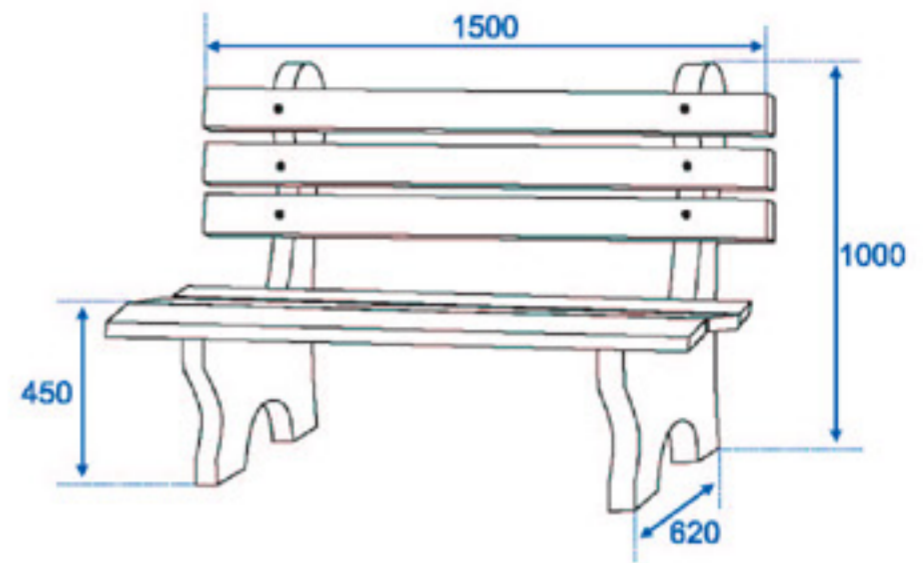
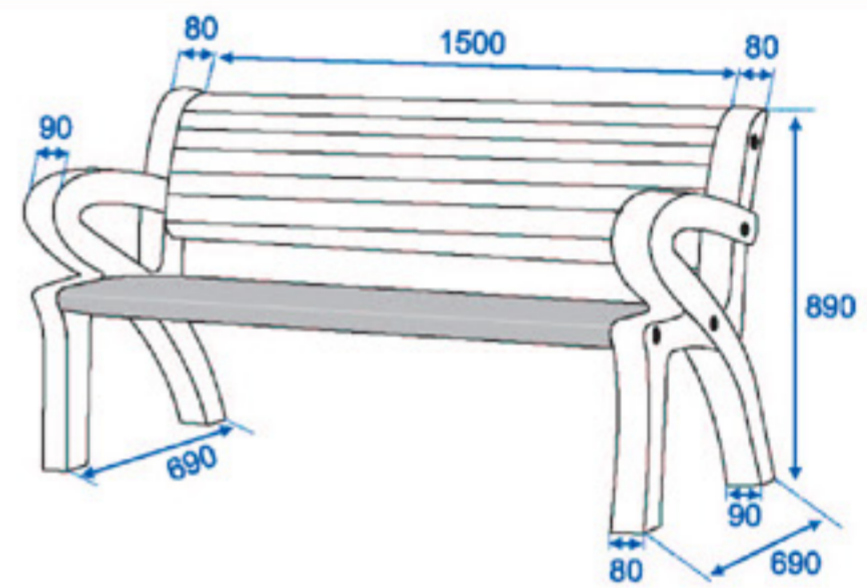
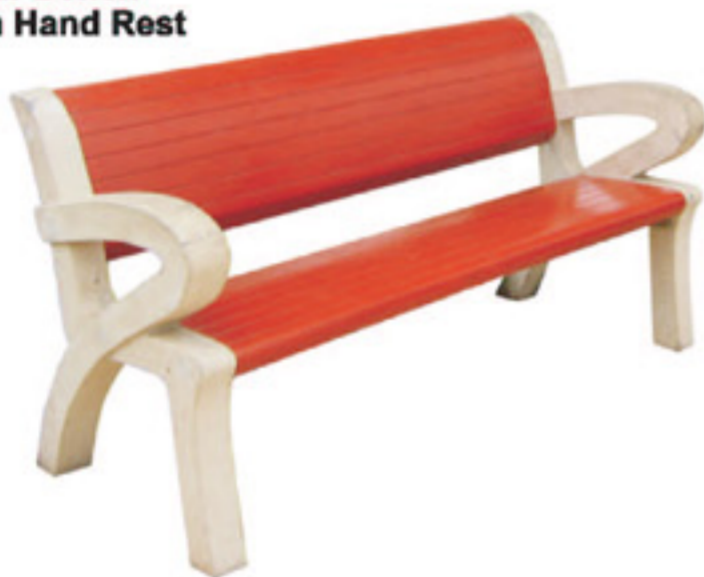


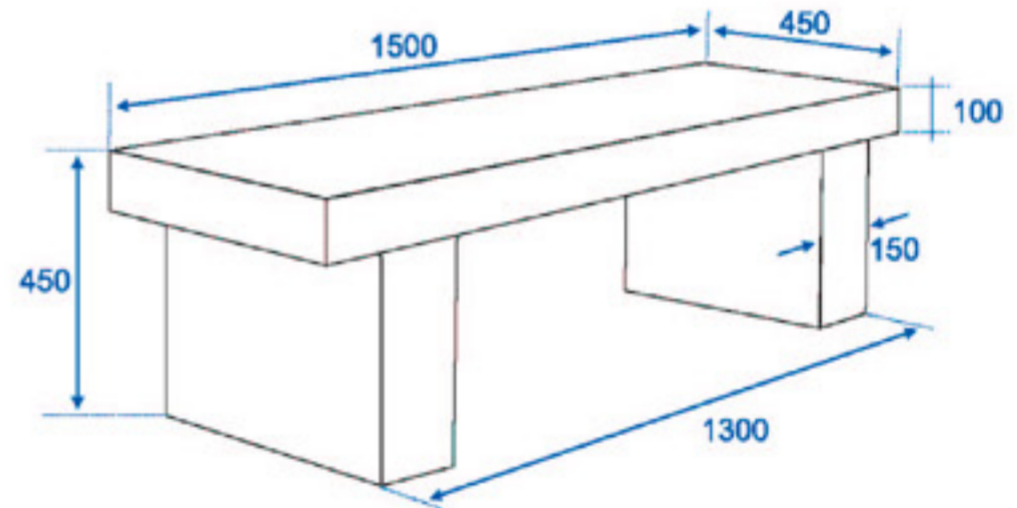
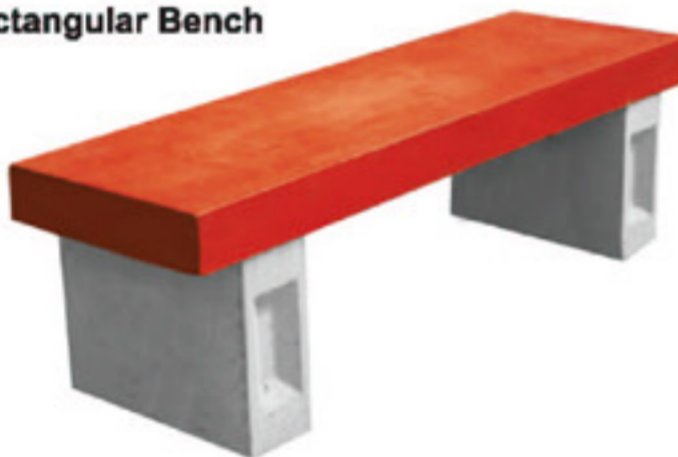
Chair Bench with Back Rest



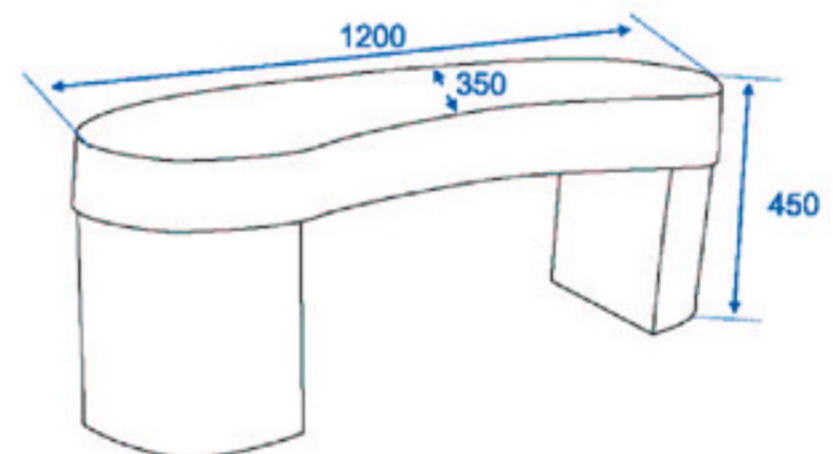
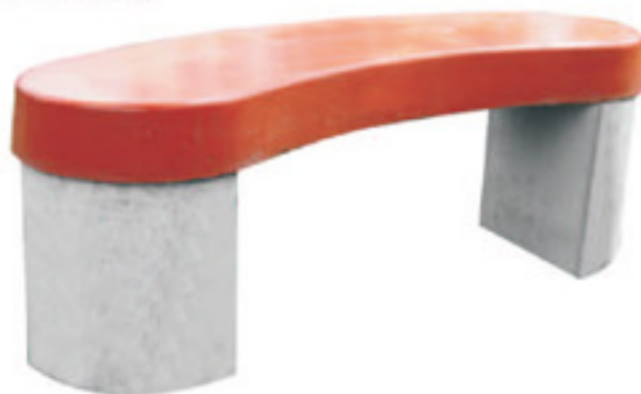
Chair Bench with Hand Rest



Rectangular Bench



Curved Bench



Konkrete Precast Concrete Products are manufactured using the latest vibro-compaction techniques, accurately designed moulds, appropriate reinforcement with circular plastic spacers and a concrete grade of M30 and above. We can also produce customised products for your special needs, subject to large quantities. To order customised products, sizes, strength required and other necessary information needs to be sent. In our constant endeavour to improve the products, the specifications may change without notice.

All dimensions are in mm

BENEFITS OF PRECAST CONCRETE

MASS – PRECAST CONCRETE PRODUCTS CAN ACT AS EFFECTIVE BARRIERS TO VEHICULAR TRAFFIC DUE TO THEIR SIZE AND WEIGHT. IN THE CURRENT WORLD CLIMATE, PRECAST CONCRETE PRODUCTS SUCH AS PLANTERS, BOLLARDS AND HIGHWAY BARRIERS INCREASINGLY ARE BEING USED TO PROVIDE PROTECTION FOR A WIDE VARIETY OF VENUES.