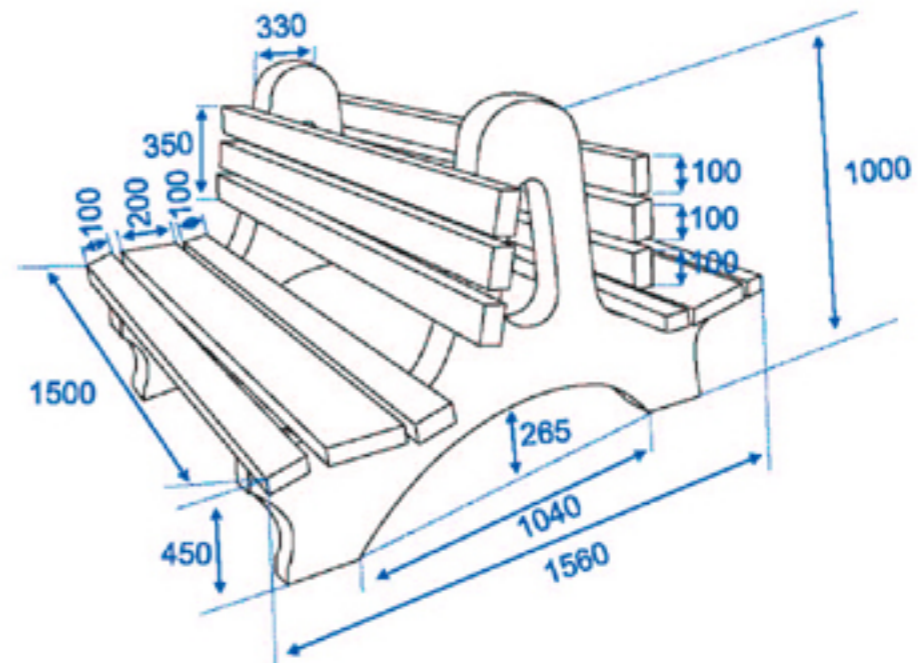
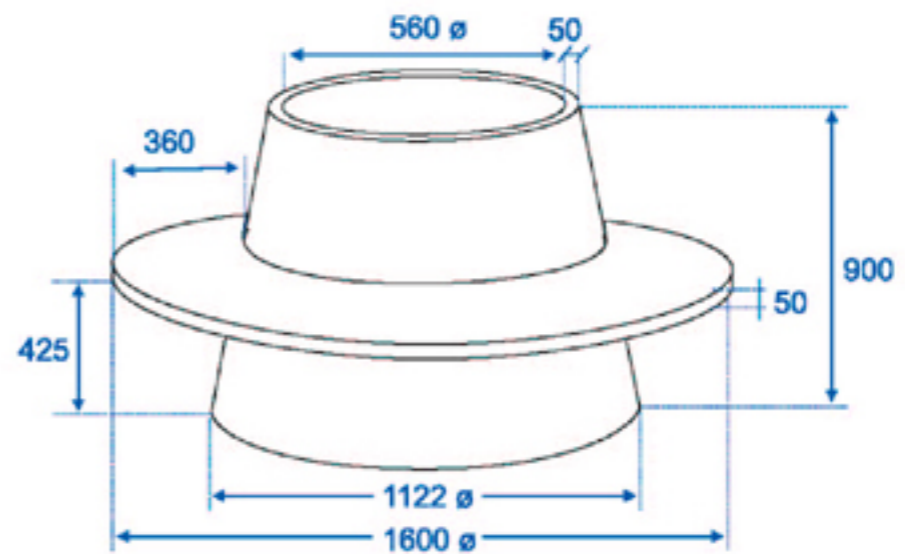




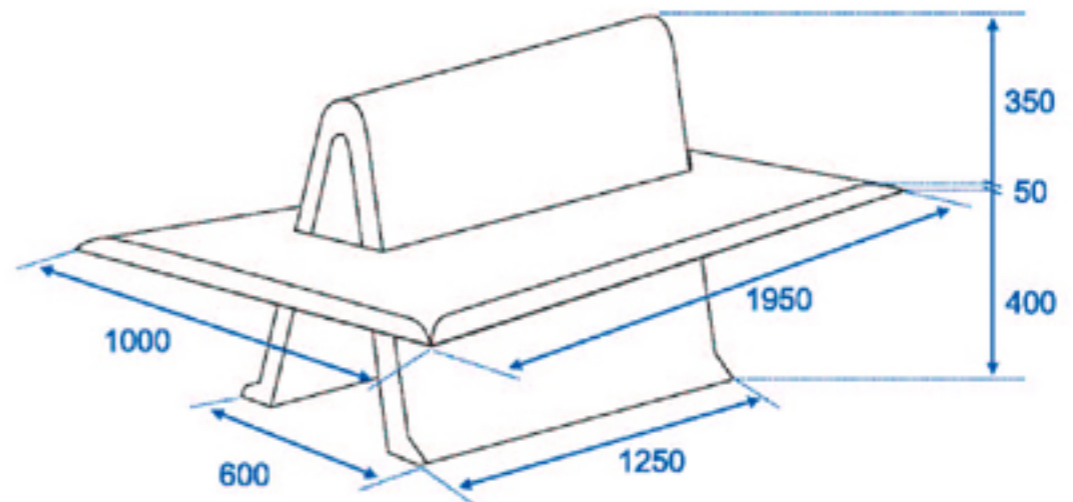
Double Side Chair Bench with Back Rest



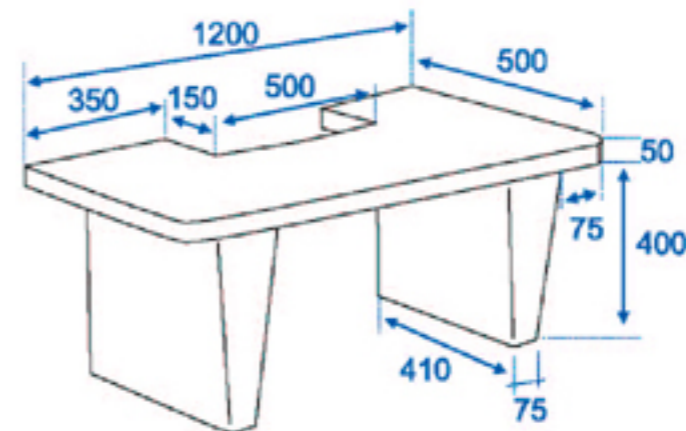
Circular Bench with Back Rest



Rectangular Bench ("A" Type) with Back Rest



Concrete Bench for placing around the pillars.



Konkrete Precast Concrete Products are manufactured using the latest vibro-compaction techniques, accurately designed moulds, appropriate reinforcement with circular plastic spacers and a concrete grade of M30 and above. We can also produce customised products for your special needs, subject to large quantities. To order customised products, sizes, strength required and other necessary information needs to be sent. In our constant endeavour to improve the products, the specifications may change without notice.

All dimensions are in mm

BENEFITS OF PRECAST CONCRETE

CHEMICAL RESISTANCE - PRECAST CONCRETE IS RESISTANT TO MOST SUBSTANCES. HOWEVER NO MATERIAL IS COMPLETELY IMMUNE TO ATTACK FORM AGGRESSIVE CHEMICAL AGENTS. THUS IT IS WISE TO CHOOSE THE MATERIAL WITH THE LONGEST EXPECTED SERVICE LIFE. PRECAST CONCRETE PRODUCTS CAN BE DESIGNED TO WITHSTAND ANTICIPATED CORROSIVE AGENTS.