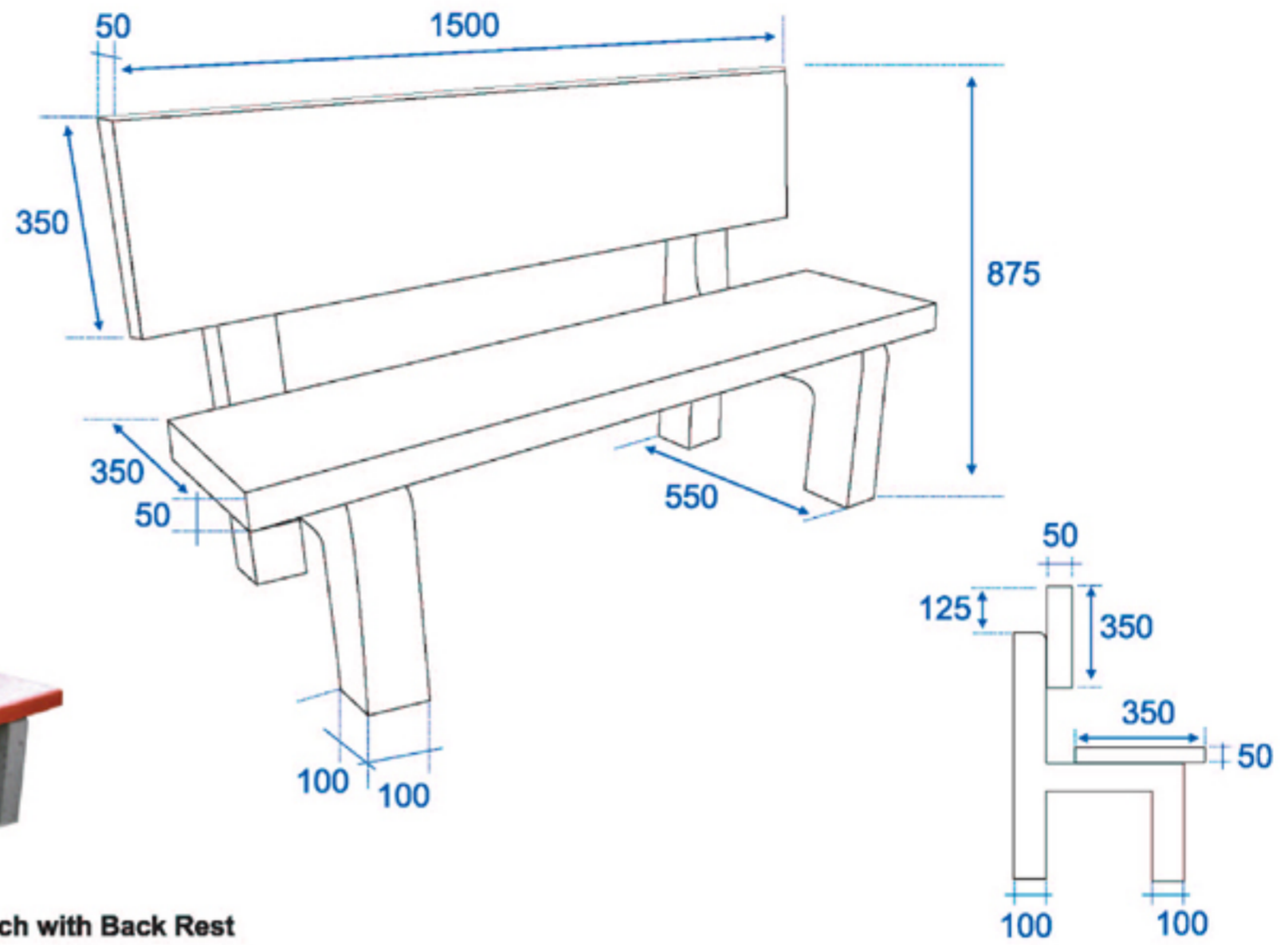
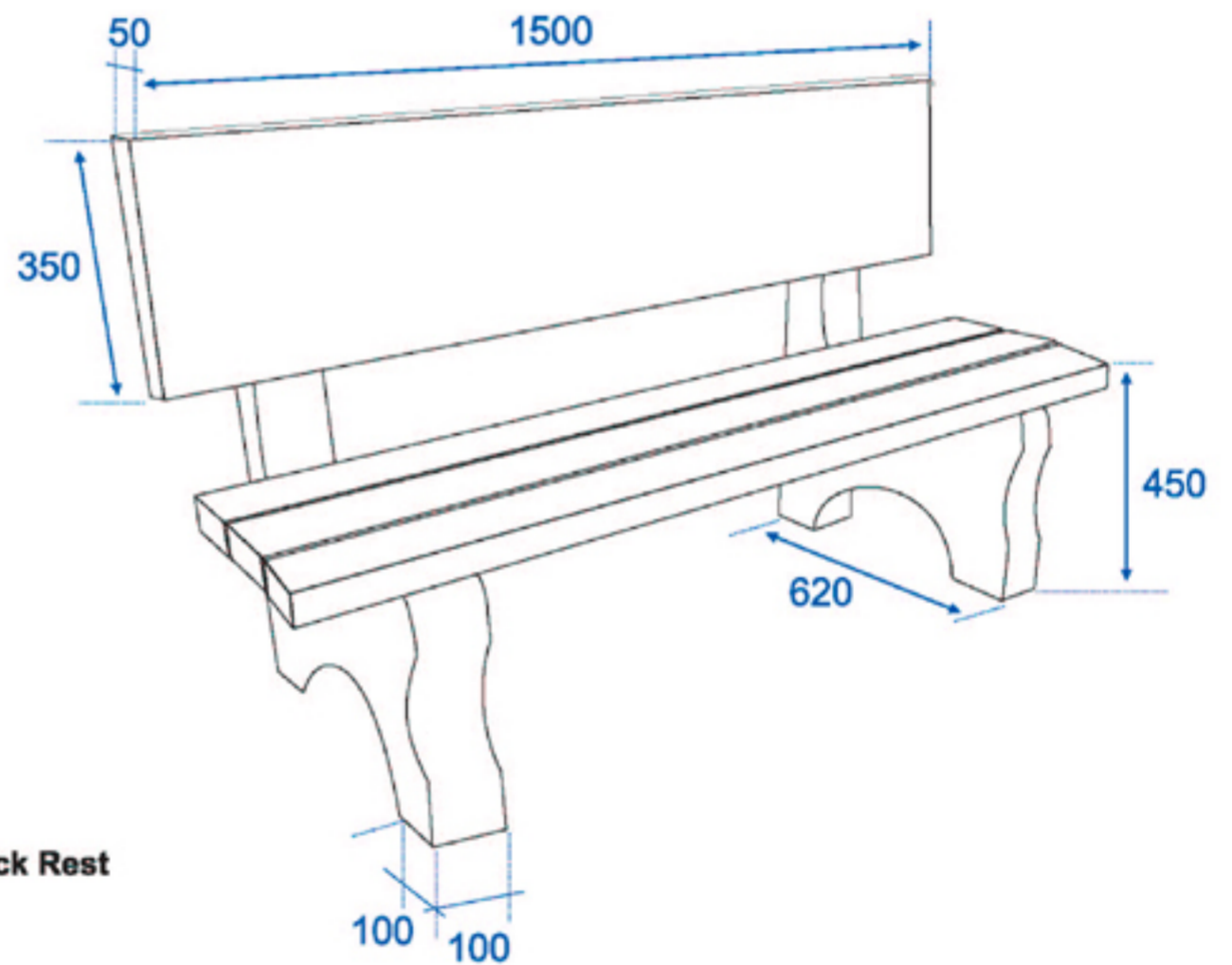




Rectangular Bench with Back Rest



**Chair Bench with Back Rest
(for Advertisement)**



Konkrete Precast Concrete Products are manufactured using the latest vibro-compaction techniques, accurately designed moulds, appropriate reinforcement with circular plastic spacers and a concrete grade of M30 and above. We can also produce customised products for your special needs, subject to large quantities. To order customised products, sizes, strength required and other necessary information needs to be sent. In our constant endeavour to improve the products, the specifications may change without notice.

All dimensions are in mm

BENEFITS OF PRECAST CONCRETE

QUALITY CONTROL – BECAUSE PRECAST CONCRETE PRODUCTS TYPICALLY ARE PRODUCED IN A CONTROLLED ENVIRONMENT, THEY EXHIBIT HIGH QUALITY AND UNIFORMITY. VARIABLES AFFECTING QUALITY TYPICALLY FOUND ON A JOBSITE-TEMPERATURE, HUMIDITY, MATERIAL QUALITY, CRAFTSMANSHIP – ARE NEARLY ELIMINATED IN A PLANT ENVIRONMENT.