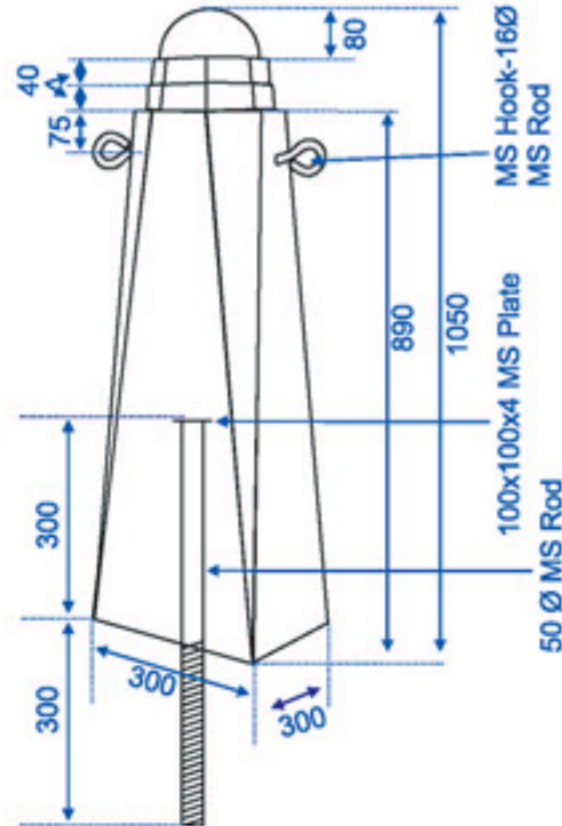




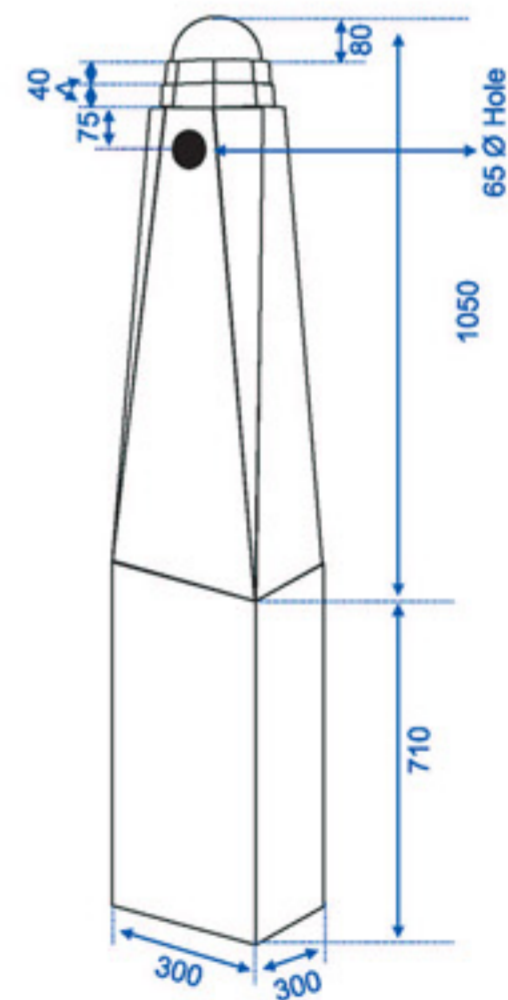
India Gate Bollards
Indraprastha Park in
Sarial Kalekha, New Delhi



Type I



Type II



Konkrete Precast Concrete Products are manufactured using the latest vibro-compaction techniques, accurately designed moulds, appropriate reinforcement with circular plastic spacers and a concrete grade of M30 and above. We can also produce customised products for your special needs, subject to large quantities. To order customised products, sizes, strength required and other necessary information needs to be sent. In our constant endeavour to improve the products, the specifications may change without notice.

All dimensions are in mm

BENEFITS OF PRECAST CONCRETE

ENVIRONMENTALLY FRIENDLY – AFTER WATER, CONCRETE IS THE MOST FREQUENTLY USED MATERIAL ON EARTH. IT IS NONTOXIC, ENVIRONMENTALLY SAFE AND COMPOSED OF NATURAL MATERIALS. BURIED THROUGHOUT THE WORLD, PRECAST CONCRETE PRODUCTS HELP CONVEY WATER WITHOUT CONTRIBUTING TO POOR WATER QUALITY.