



*“Home of Innovative & Quality
Solutions for Construction
since 1984”*

BOUNDARY WALLS & FENCES



**BOUNDARY
WALL**



FENCE



BOUNDARY WALLS & FENCES

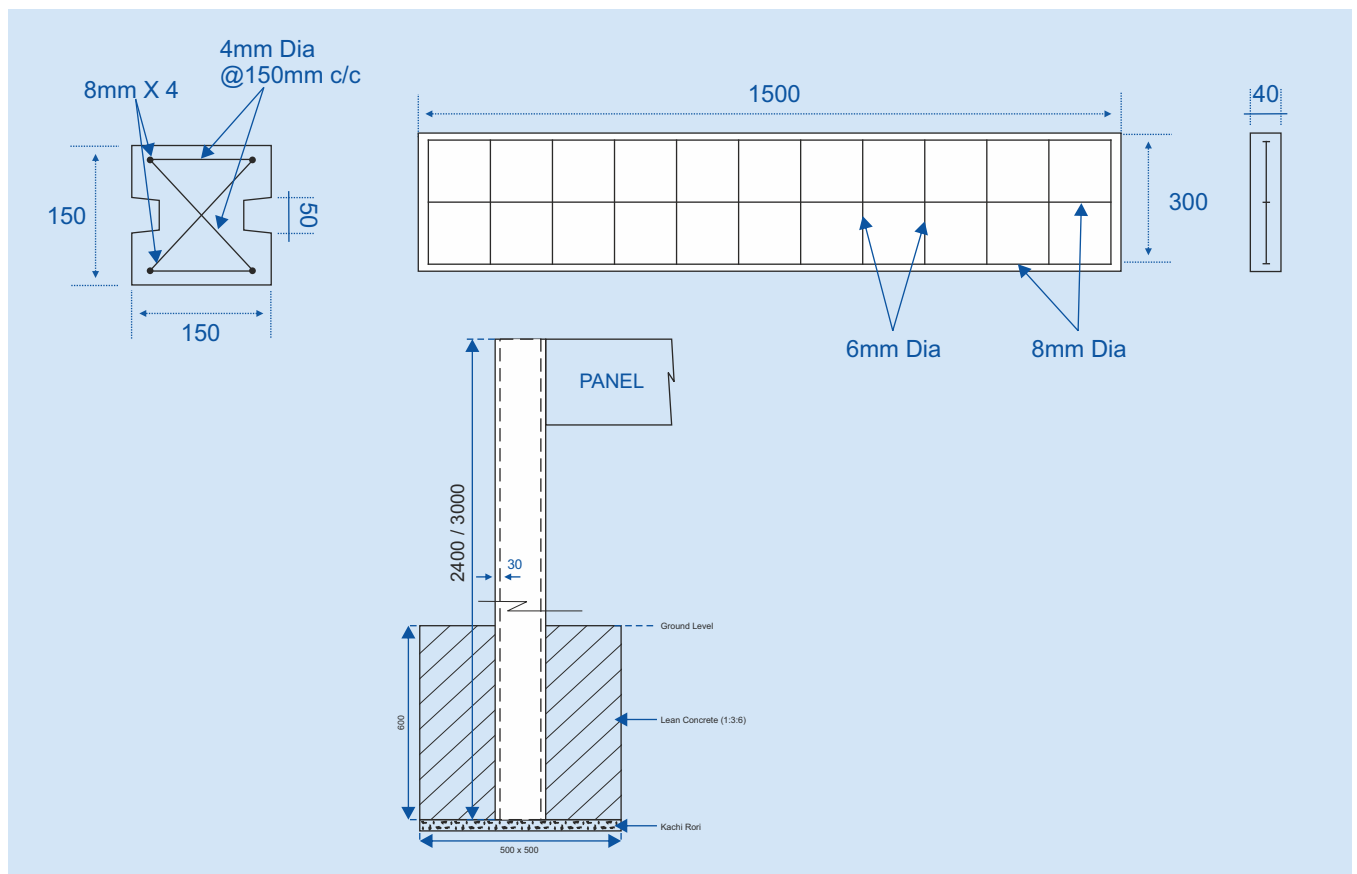
PRECAST BOUNDARY WALL

OVERVIEW

Our precast boundary wall system provides the look of a traditional brick masonry wall while at the same time providing cost effectiveness, durability, strength and ease of installation. Our products are designed to withstand harsh conditions and can be installed in fraction of the time.

TECHNICAL INFORMATION

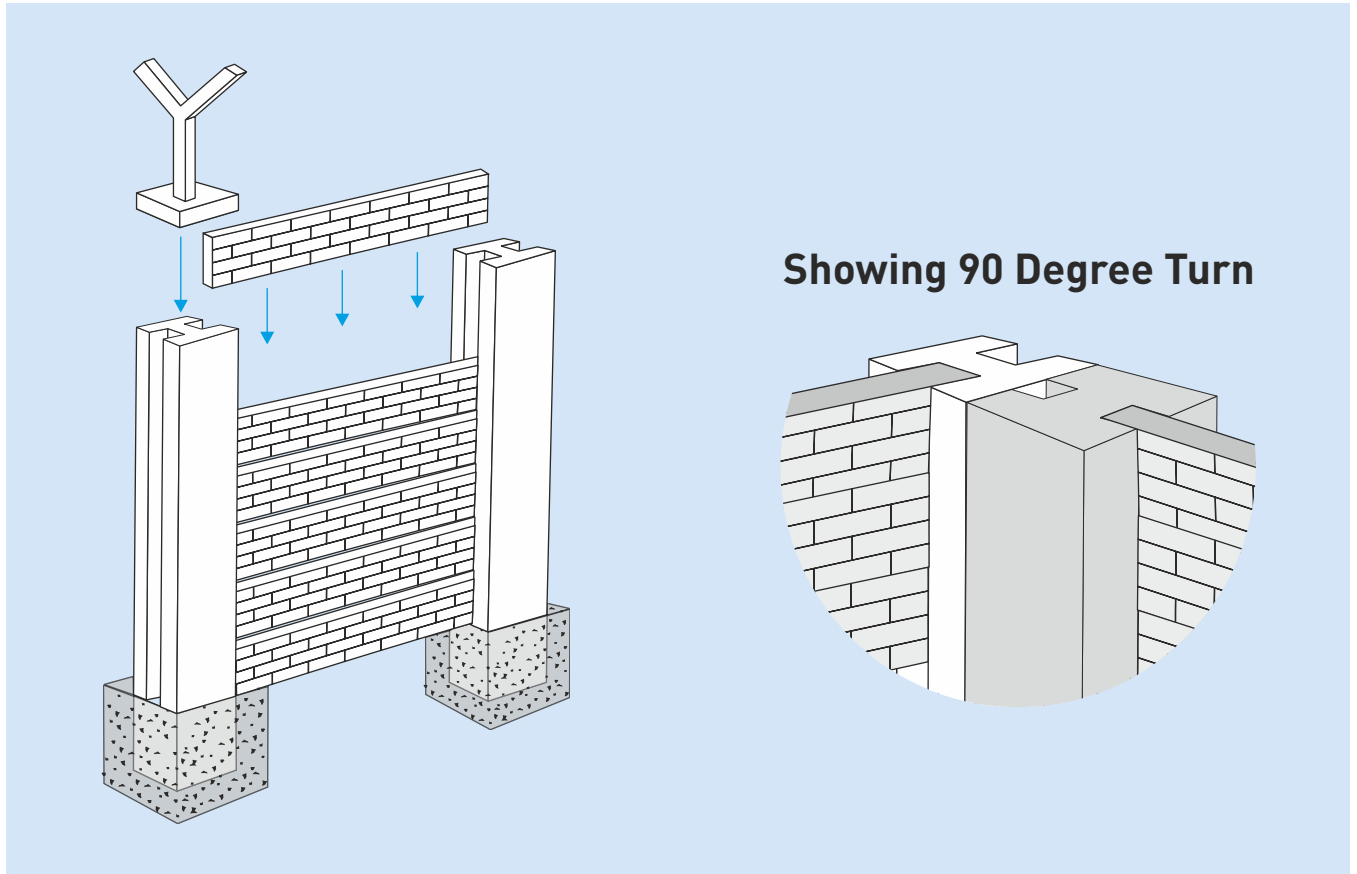
- Brick Texture on one or both sides with or without integral color.
- The post is embedded in ground up to a depth of 2 ft
- Posts are set 1.615 m to 1.665 m on center based on size of the post.
- Panels are stacked one on top of the other
- Concrete compressive strength of M-30 at 28 days.
- Steel reinforced posts & panels.
- Boundary walls can be built in height ranging from 6ft to 8ft above ground.
- Concertina coil can be optionally attached to the top of the post.





BOUNDARY WALLS & FENCES

PRECAST BOUNDARY WALL INSTALLATION



1. A pit is dug with a depth of 2ft and dia of minimum 300mm.
2. The bottom of the pit is leveled by using kachi rodi.
3. The post is inserted in the pit and the gap is filled with lean concrete. (1:3:6 mix design)
4. The panels are lowered horizontally into the grooves of two adjacent poles.
5. While installing poles it is important to ensure verticality, accurate center to center distance and that the posts are in the same vertical plane.



BOUNDARY WALLS & FENCES





BOUNDARY WALLS & FENCES



Post incorporates light fixture.

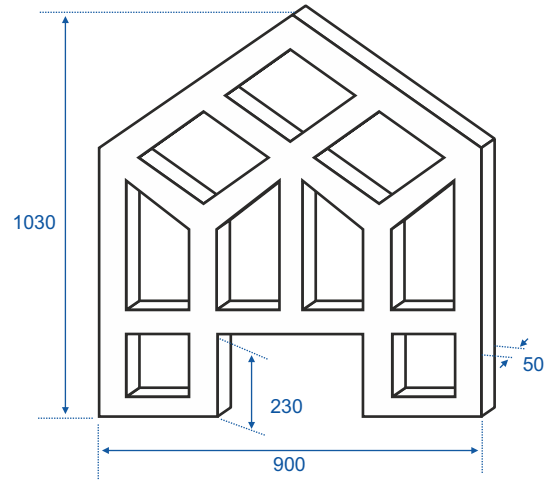




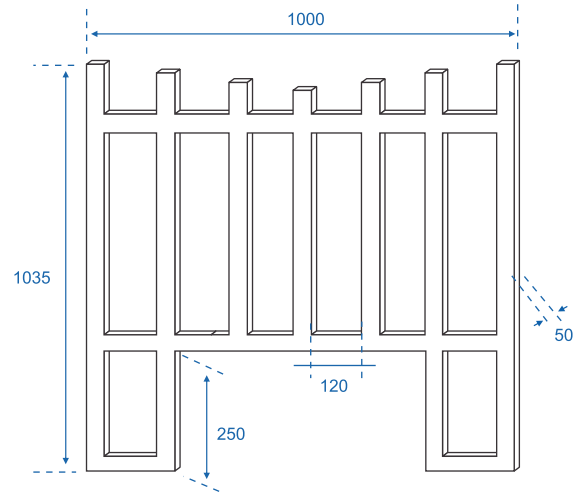
BOUNDARY WALLS & FENCES

FENCES

FENCE DIAMOND



FENCE "V" SHAPE NEW



FENCE MAJESTIC

