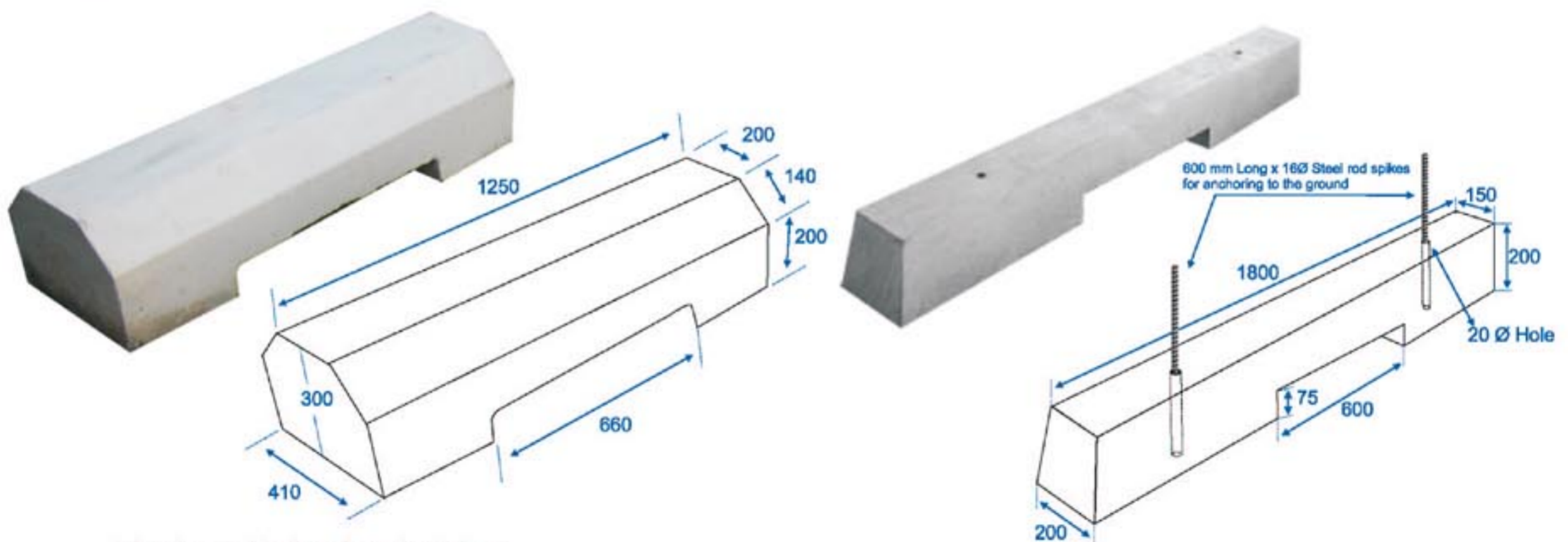




Long Kerb Stone/Kerb Stone/Wheel Stopper/Road Divider

Sec 12 Huda Office, Faridabad



Advantages of using above kerb stone

1. Faster runoff of water from road to surrounding areas.
2. No water clogging on the roads & hence longer life of the road.
3. Rain water harvesting by the water is possible.
4. Can be used as a sitting area along the footpath.
5. No separate drainage pipe required.

Konkrete Precast Concrete Products are manufactured using the latest vibro-compaction techniques, accurately designed moulds, appropriate reinforcement with circular plastic spacers and a concrete grade of M30 and above. We can also produce customised products for your special needs, subject to large quantities. To order customised products, sizes, strength required and other necessary information needs to be sent. In our constant endeavour to improve the products, the specifications may change without notice.

All dimensions are in mm

BENEFITS OF PRECAST CONCRETE

STRENGTH – THE STRENGTH OF PRECAST CONCRETE GRADUALLY INCREASE OVER TIME. OTHER MATERIALS CAN DETERIORATE, EXPERIENCE CREEP AND STRESS RELAXATION, LOSE STRENGTH AND/OR DEFLECT OVER TIME. THE LOAD-CARRYING CAPACITY OF PRECAST CONCRETE IS DERIVED FROM ITS OWN STRUCTURAL QUALITIES AND DOES NOT RELY ON THE STRENGTH OR QUALITY OF THE SURROUNDING BACKFILL MATERIALS.