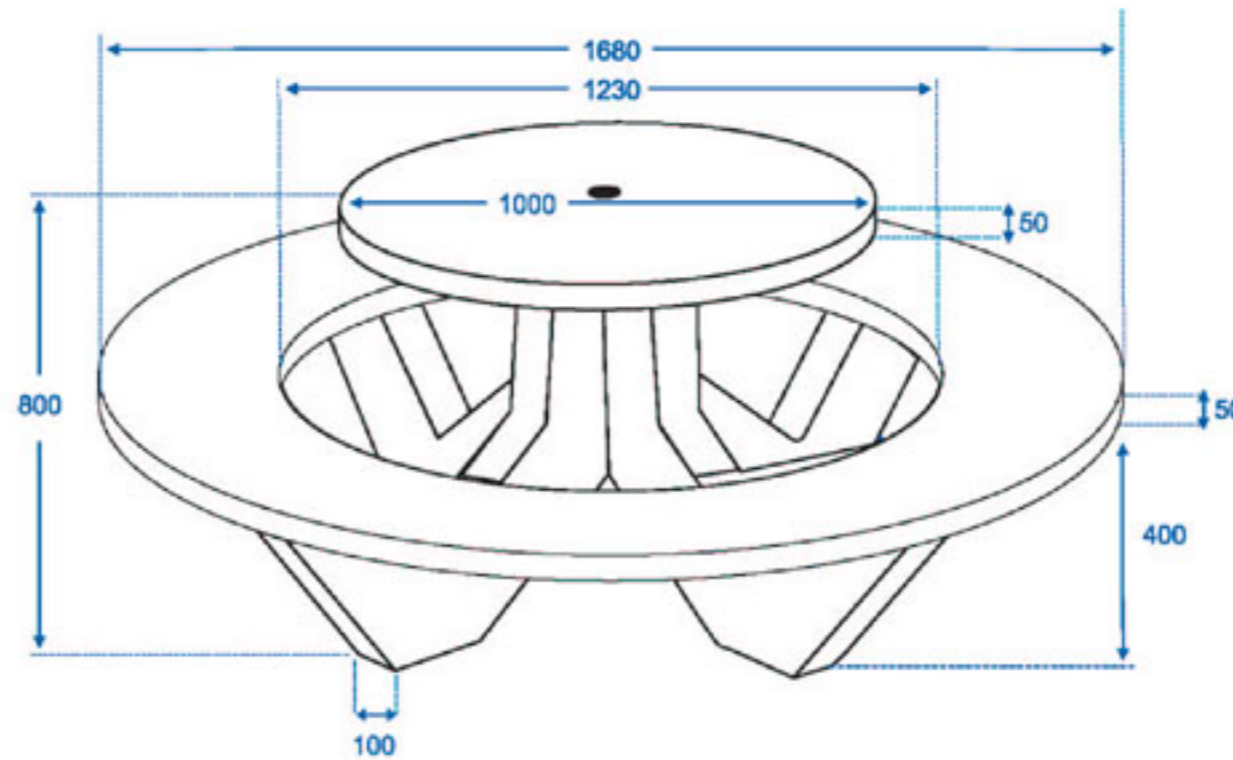


Launching New Product



Round Table with Round Bench  
Terrazzo Finish



Konkrete Precast Concrete Products are manufactured using the latest vibro-compaction techniques, accurately designed moulds, appropriate reinforcement with circular plastic spacers and a concrete grade of M30 and above. We can also produce customised products for your special needs, subject to large quantities. To order customised products, sizes, strength required and other necessary information needs to be sent. In our constant endeavour to improve the products, the specifications may change without notice.

All dimensions are in mm

**BENEFITS OF PRECAST CONCRETE**

**STRENGTH** – THE STRENGTH OF PRECAST CONCRETE GRADUALLY INCREASE OVER TIME. OTHER MATERIALS CAN DETERIORATE, EXPERIENCE CREEP AND STRESS RELAXATION, LOSE STRENGTH AND/OR DEFLECT OVER TIME. THE LOAD-CARRYING CAPACITY OF PRECAST CONCRETE IS DERIVED FROM ITS OWN STRUCTURAL QUALITIES AND DOES NOT RELY ON THE STRENGTH OR QUALITY OF THE SURROUNDING BACKFILL MATERIALS.