



Furniture



Round Table with 4 Bench
Terrazzo Finish



Rectangular Table with 2 Bench



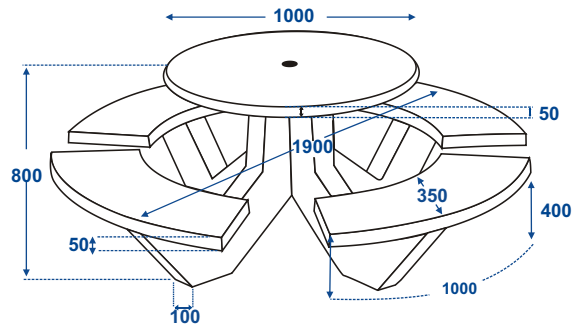
Square Table with 4 Bench



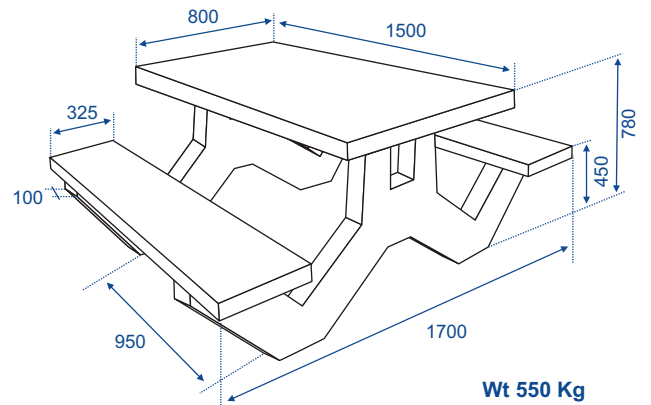
Round Table with 4 Bench



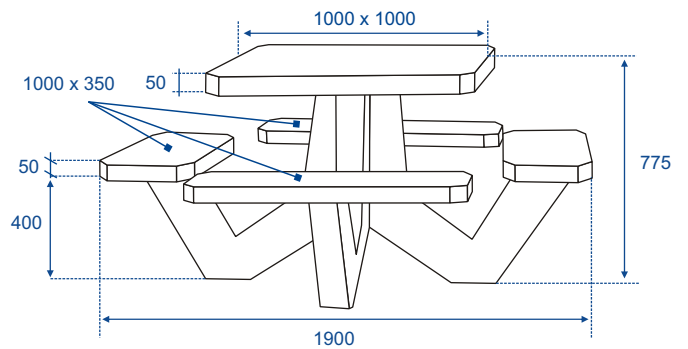
Round Table with 4 Bench
Terrazzo Finish



Rectangular Table with 2 Bench



Square Table with 4 Bench



Konkrete Precast Concrete Products are manufactured using the latest vibro-compaction techniques, accurately designed moulds, appropriate reinforcement with circular plastic spacers and a concrete grade of M25 and above. We can also produce customised products for your special needs, subject to large quantities. To order customised products, sizes, strength required and other necessary information needs to be sent.

In our constant endeavour to improve the products, the specifications may change without notice.

All dimensions are in mm



Chair Bench with Back Rest



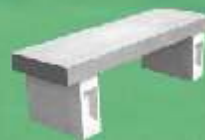
Chair Bench with Hand Rest



Curved Bench

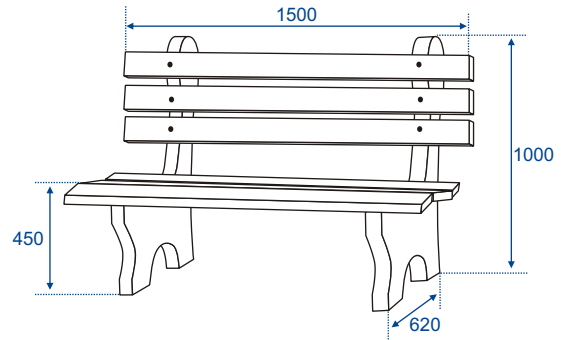


Rectangular Bench

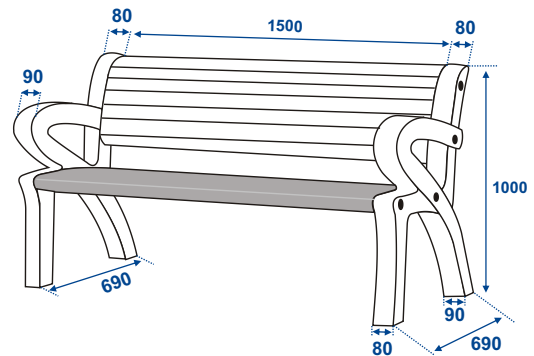


Konkrete Precast Concrete

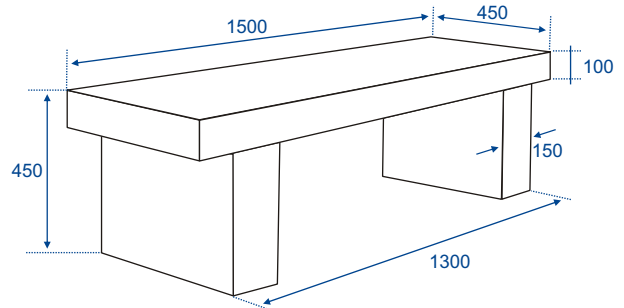
Chair Bench with Back Rest



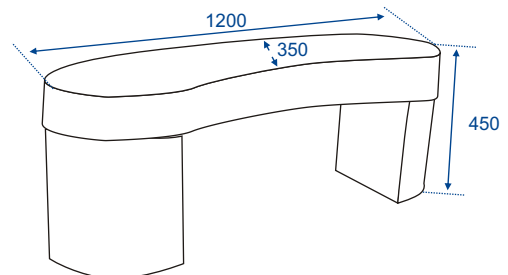
Chair Bench with Hand Rest



Rectangular Bench



Curved Bench



Konkrete Precast Concrete Products are manufactured using the latest vibro-compaction techniques, accurately designed moulds, appropriate reinforcement with circular plastic spacers and a concrete grade of M25 and above. We can also produce customised products for your special needs, subject to large quantities. To order customised products, sizes, strength required and other necessary information needs to be sent.

In our constant endeavour to improve the products, the specifications may change without notice.

All dimensions are in mm



Double Side Chair Bench
with Back Rest



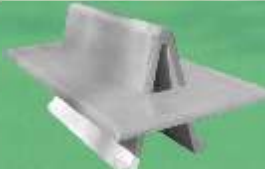
Circular Bench with Back Rest



Rectangular Bench ("A" Type)
with Back Rest

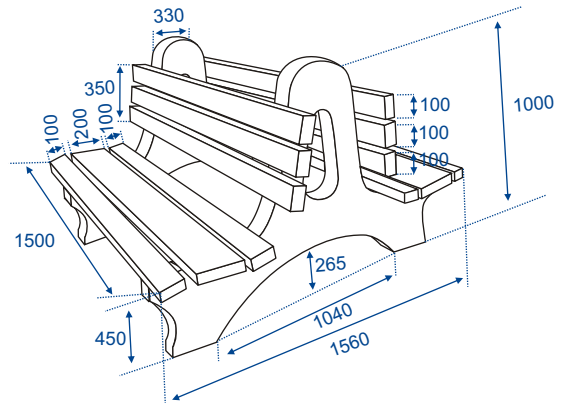


Rectangular Bench on Bollards

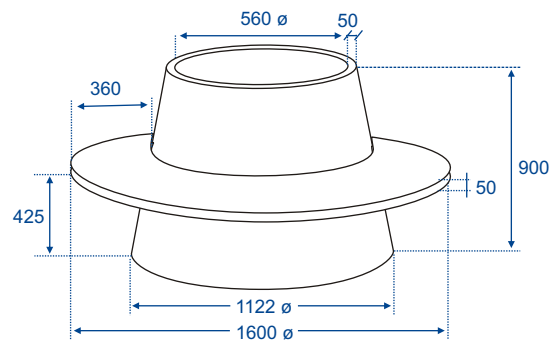




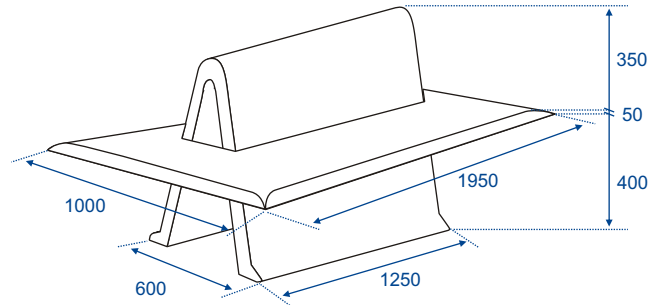
Double Side Chair Bench with Back Rest



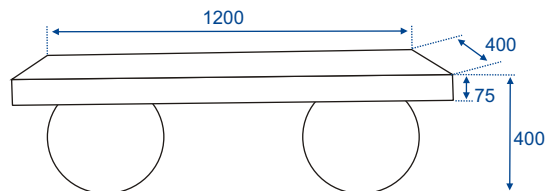
Circular Bench with Back Rest



Rectangular Bench ("A" Type) with Back Rest



Rectangular Bench on Bollards



Konkrete Precast Concrete Products are manufactured using the latest vibro-compaction techniques, accurately designed moulds, appropriate reinforcement with circular plastic spacers and a concrete grade of M25 and above. We can also produce customised products for your special needs, subject to large quantities. To order customised products, sizes, strength required and other necessary information needs to be sent.

In our constant endeavour to improve the products, the specifications may change without notice.

All dimensions are in mm