



Flooring



Diagonal Grooved Slab
400x400x40
400x400x50

Floor Slab
Distt. Park, Gurgaon

Our other textures

Natural Stone Finish



400x400x40
400x400x50

Tactile for Blind



300x300x50

Designer Slab



400x400x40
400x400x50

Crazy Marble



400x400x40
400x400x50

Exposed Aggregates



Type 1

400x400x40
400x400x50



Type 2

400x400x40
400x400x50



Type 3

400x400x40
400x400x50



Type 4

400x400x40
400x400x50

Note : Above Tiles can be made in different color finish as per customer requirement and also can be reinforced as per customers specifications.

Konkrete Precast Concrete Products are manufactured using the latest vibro-compaction techniques, accurately designed moulds, appropriate reinforcement with circular plastic spacers and a concrete grade of M25 and above. We can also produce customised products for your special needs, subject to large quantities. To order customised products, sizes, strength required and other necessary information needs to be sent.

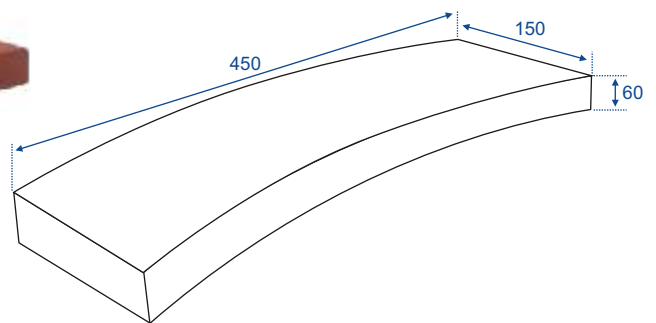
In our constant endeavour to improve the products, the specifications may change without notice.

All dimensions are in mm



Curved Floor Slab

Baba Khadak Singh Marg, New Delhi



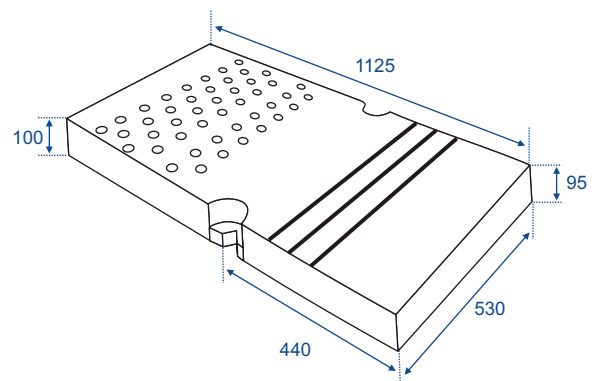
Konkrete Precast Concrete Products are manufactured using the latest vibro-compaction techniques, accurately designed moulds, appropriate reinforcement with circular plastic spacers and a concrete grade of M25 and above. We can also produce customised products for your special needs, subject to large quantities. To order customised products, sizes, strength required and other necessary information needs to be sent.

In our constant endeavour to improve the products, the specifications may change without notice.

All dimensions are in mm



Railway Platform Coping
Platform No. 1,
New Delhi Railway Station, New Delhi



Konkrete Precast Concrete Products are manufactured using the latest vibro-compaction techniques, accurately designed moulds, appropriate reinforcement with circular plastic spacers and a concrete grade of M25 and above. We can also produce customised products for your special needs, subject to large quantities. To order customised products, sizes, strength required and other necessary information needs to be sent.

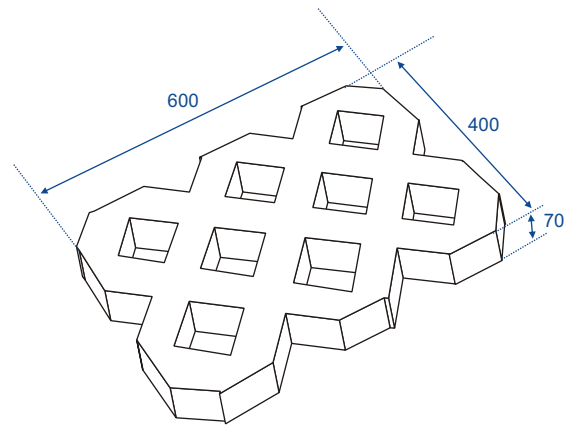
In our constant endeavour to improve the products, the specifications may change without notice.

All dimensions are in mm



Grass Grid

Global Business Park, Gurgaon



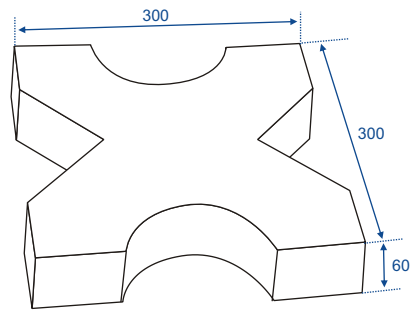
Konkrete Precast Concrete Products are manufactured using the latest vibro-compaction techniques, accurately designed moulds, appropriate reinforcement with circular plastic spacers and a concrete grade of M25 and above. We can also produce customised products for your special needs, subject to large quantities. To order customised products, sizes, strength required and other necessary information needs to be sent.

In our constant endeavour to improve the products, the specifications may change without notice.

All dimensions are in mm



Floor Slab
L & T, Factory, Faridabad



Konkrete Precast Concrete Products are manufactured using the latest vibro-compaction techniques, accurately designed moulds, appropriate reinforcement with circular plastic spacers and a concrete grade of M25 and above. We can also produce customised products for your special needs, subject to large quantities. To order customised products, sizes, strength required and other necessary information needs to be sent.

In our constant endeavour to improve the products, the specifications may change without notice.

All dimensions are in mm



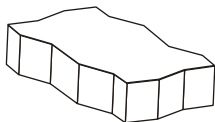
Interlocking Paver

Baba Khadak Singh Marg, New Delhi

PAVER WAVE



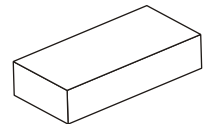
PAVER ZIG-ZAG



PAVER DUMBLE



PAVER BRICK



Note : All Pavers are available in 60 & 80 mm Thickness

Konkrete Precast Concrete Products are manufactured using the latest vibro-compaction techniques, accurately designed moulds, appropriate reinforcement with circular plastic spacers and a concrete grade of M25 and above. We can also produce customised products for your special needs, subject to large quantities. To order customised products, sizes, strength required and other necessary information needs to be sent.

In our constant endeavour to improve the products, the specifications may change without notice.

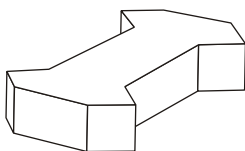
All dimensions are in mm



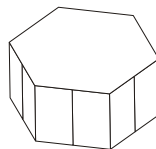
Interlocking Paver

Inderprastha Park, Sarai Kalekhan, New Delhi

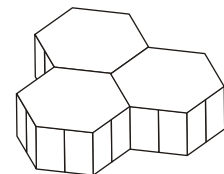
PAVER - I



PAVER HEX



PAVER TRI-HEX



Note : All Pavers are available in 60 & 80 mm Thickness

Konkrete Precast Concrete Products are manufactured using the latest vibro-compaction techniques, accurately designed moulds, appropriate reinforcement with circular plastic spacers and a concrete grade of M25 and above. We can also produce customised products for your special needs, subject to large quantities. To order customised products, sizes, strength required and other necessary information needs to be sent.

In our constant endeavour to improve the products, the specifications may change without notice.

All dimensions are in mm

