

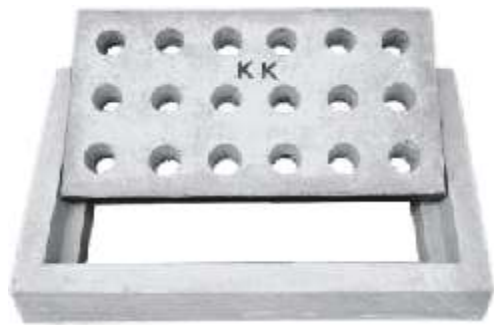
Utility



Manhole Covers, Frames and Gratings
Global Business Park, Gurgaon



Rectangular Frame with Cover



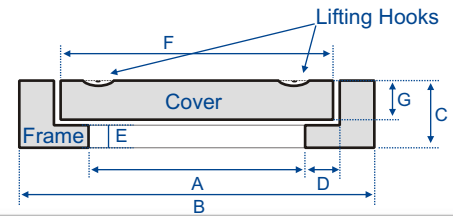
Rectangular Frame with Grating Cover













Circular Frame and cover



Circular Manhole Frame and Grating Cover



Product Picture	Product Code	Product Description	Shape	Frame Details					Cover Details	
				A	B	C	D	E	F	G
	MHCF - 01	Extra Heavy Duty - 35	Circular	560	875	175	75	75	720	100
	MHCF - 02	Extra Heavy Duty - 35	Circular	600	910	175	75	75	760	100
	MHCF - 03	Heavy Duty - 20	Circular	690	950	140	50	50	800	90
	MHCF - 04	Heavy Duty - 20	Circular	600	870	155	50	65	710	90
	MHCF - 05	Heavy Duty - 20	Circular	600	910	155	75	75	760	80
	MHCF - 06	Heavy Duty - 20	Circular	560	875	155	75	75	720	80
	MHCF - 07	Heavy Duty - 20	Circular	450	720	155	50	65	560	90
	MHCF - 08	Heavy Duty - 20	Square	600x600	840x840	130	50	50	710x710	80
	MHCF - 09	Heavy Duty - 20	Square	600x600	910x910	155	75	75	760x760	80
	MHCF - 10	Heavy Duty - 20	Square	450x450	760x760	155	75	75	610x610	80
	MHCF - 11	Heavy Duty - 20	Rectangular	600x450	910x760	155	75	75	760x610	80
	MHCF - 12	Medium Duty - 10	Circular	500	710	110	50	50	610	60
	MHCF - 13	Medium Duty - 10	Circular	560	770	110	50	50	670	60
	MHCF - 14	Medium Duty - 10	Square	600x600	810x810	100	50	50	710x710	50
	MHCF - 15	Medium Duty - 10	Square	450x450	660x660	100	50	50	560x560	50
	MHCF - 16	Medium Duty - 10	Rectangular	600x450	810x660	100	50	50	710x560	50
	MHCF - 17	Medium Duty - 10	Rectangular	900x550	1200x855	130	50	50	1000x650	70
	MHCF - 18	Medium Duty - 10	Rectangular	900x800	1350x1250	150	50	50	1025x925	70
	MHCF - 19	Light Duty - 2.5	Square	450x450	610x610	80	30	40	500x500	40
	MHCF - 20	Light Duty - 2.5	Rectangular	600x450	780x630	80	30	40	670x520	40
	MHCF - 21	Gully Trap	Square	260x260	390x390	75	20	30	300x300	40
	GGCF - 01	Gully Grating	Rectangular	500x450	680x630	120	30	50	570x520	70
	GGCG - 02	Gully Grating	Rectangular	600x300	770x470	120	30	50	670x370	70

All above manhole covers can also be provided with suitable holes for rain water drainage.

RCC Manhole Covers & Frames are provided with suitable mild steel rims to prevent damaging of edges and provided with easily lifting hooks duly protected against corrosion. RCC Manhole covers and frames are lighter than cast iron manhole covers & frames and hence easy to handle. These are designed to prevent jamming of cover in frame. Test Load as per (IS-12592) for Extra Heavy Duty is 35 MT, Heavy Duty is 20 MT, Medium Duty is 10 MT, & Light Duty is 2.5MT. Gully Gratings have standard configuration for holes, however, they can be customized on request.

Covers of non standard sizes can also be supplied for which we need the following information:

Outer dimension of the cover with tolerances, Thickness of cover, Loading on the cover, Clear opening of the frame or chamber on which cover is required to be placed.

Konkrete Precast Concrete Products are manufactured using the latest vibro-compaction techniques, accurately designed moulds, appropriate reinforcement with circular plastic spacers and a concrete grade of M25 and above. We can also produce customised products for your special needs, subject to large quantities, subject to large quantities. To order customised products, sizes, strength required and other necessary information needs to be sent.

In our constant endeavour to improve the products, the specifications may change without notice.

All dimensions are in mm



Drain Cover

INA, New Delhi

Saucer Drain Gratings



Saucer Drain



Drain Cover



Drain Cover

Drain Cover and Lid



Trench Cover



Product Picture	Product Description	Product Code	W	D	T	L
		DR-01	200	250	50	500
		DR-02	300	300	50	500
		DR-03	300	375	50	500
		DR-04	300	450	50	500
		DR-05	350	500	60	400
		DR-06	340	315	60	610
		DR-07	585	310	70	610
		DR-08	685	355	80	475

		<p>Drain covers for above drains will be designed according to the load and application.</p> <p>Drain Lid</p>
--	--	--

		<p>STANDARD SIZES OF DRAIN COVERS</p> <table border="1"> <thead> <tr> <th>Product Code</th> <th>Width</th> <th>length</th> <th>Thickness</th> </tr> </thead> <tbody> <tr> <td>LID-01</td> <td>600</td> <td>450</td> <td>60</td> </tr> <tr> <td>LID-02</td> <td>750</td> <td>600</td> <td>70</td> </tr> <tr> <td>LID-03</td> <td>900</td> <td>450</td> <td>90</td> </tr> <tr> <td>LID-04</td> <td>1150</td> <td>400</td> <td>100</td> </tr> </tbody> </table>	Product Code	Width	length	Thickness	LID-01	600	450	60	LID-02	750	600	70	LID-03	900	450	90	LID-04	1150	400	100
Product Code	Width	length	Thickness																			
LID-01	600	450	60																			
LID-02	750	600	70																			
LID-03	900	450	90																			
LID-04	1150	400	100																			

		<p>TRH-01</p> <p>Precast Concrete Trench Cover/Drain Cover for various loading and spans can be manufactured as per the customer's requirements for which the following information is required:</p>
--	--	---

		<p>Saucer Drain SD-01</p> <ul style="list-style-type: none"> ● Outer dimension of the cover with tolerances. ● Thickness of cover. ● Loading on the cover.
--	--	--

		<p>Saucer Drain SD-02</p> <ul style="list-style-type: none"> ● Clear opening of the frame or chamber on which cover is required to be placed. ● Hole size and configuration.
--	--	---

Konkrete Precast Concrete Products are manufactured using the latest vibro-compaction techniques, accurately designed moulds, appropriate reinforcement with circular plastic spacers and a concrete grade of M25 and above. We can also produce customised products for your special needs, subject to large quantities. To order customised products, sizes, strength required and other necessary information needs to be sent.

In our constant endeavour to improve the products, the specifications may change without notice.

All dimensions are in mm



Boundary Wall
Six Feet Boundary Wall



Eight Feet Boundary Wall

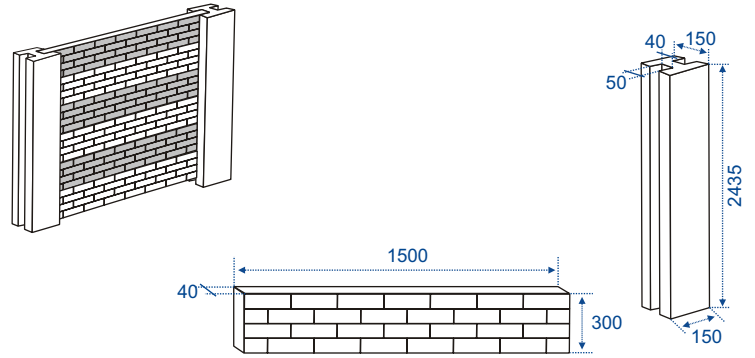


Eight Feet Boundary Wall

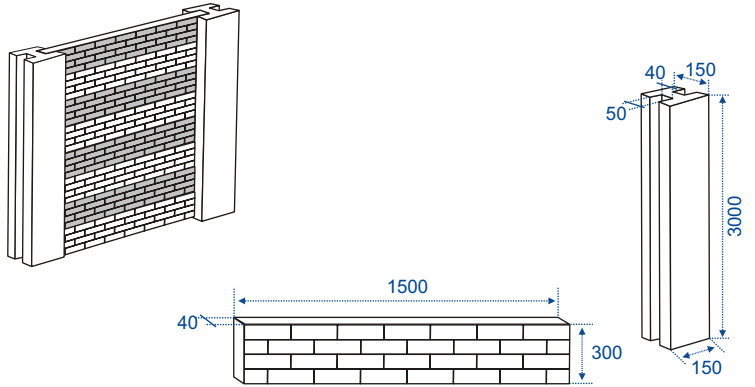
Product Picture	Product Code	Dimensional Drawing
-----------------	--------------	---------------------



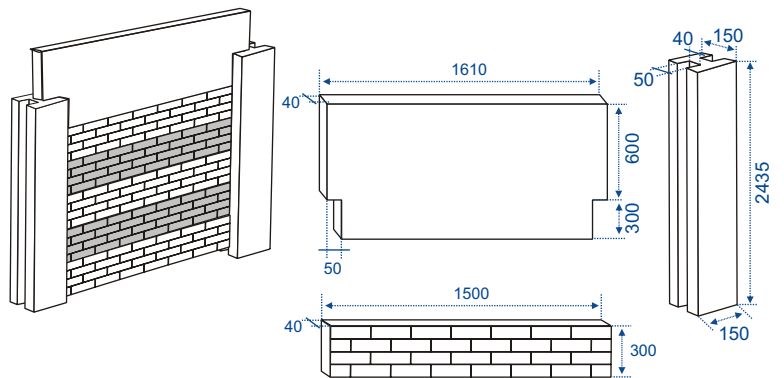
Six Feet Boundary Wall



Eight Feet Boundary Wall



Eight Feet Boundary Wall



Konkrete Precast Concrete Products are manufactured using the latest vibro-compaction techniques, accurately designed moulds, appropriate reinforcement with circular plastic spacers and a concrete grade of M25 and above. We can also produce customised products for your special needs, subject to large quantities. To order customised products, sizes, strength required and other necessary information needs to be sent.

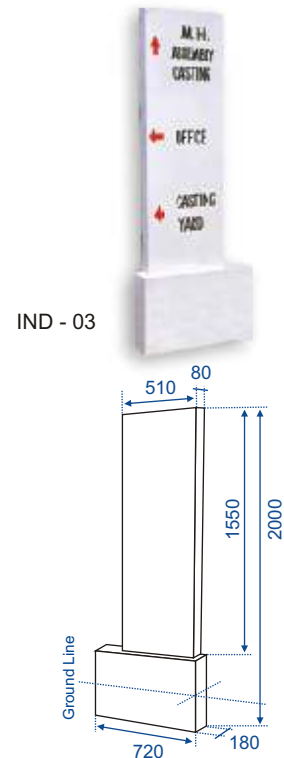
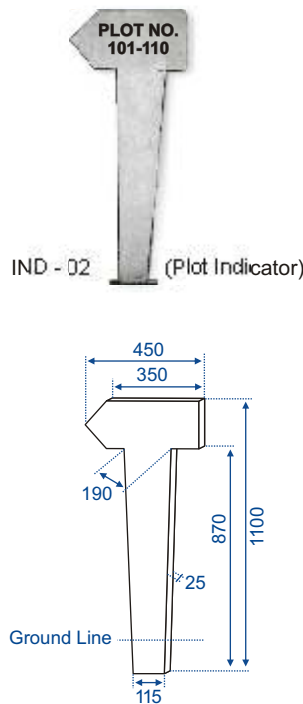
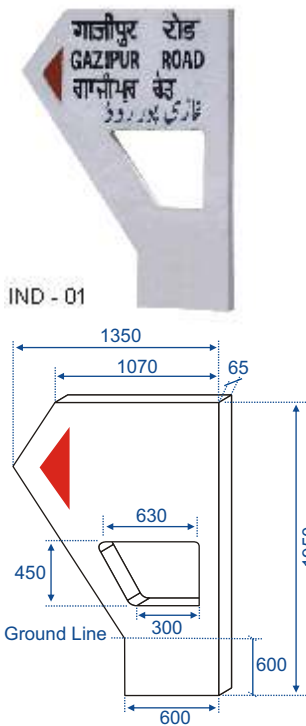
In our constant endeavour to improve the products, the specifications may change without notice.

All dimensions are in mm



Road Indicator

Bus Stop, Greater Noida, Uttar Pradesh



Konkrete Precast Concrete Products are manufactured using the latest vibro-compaction techniques, accurately designed moulds, appropriate reinforcement with circular plastic spacers and a concrete grade of M25 and above. We can also produce customised products for your special needs, subject to large quantities. To order customised products, sizes, strength required and other necessary information needs to be sent.

In our constant endeavour to improve the products, the specifications may change without notice.

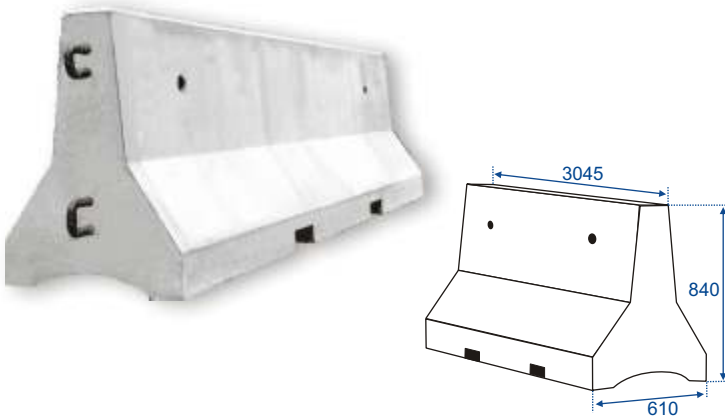
All dimensions are in mm



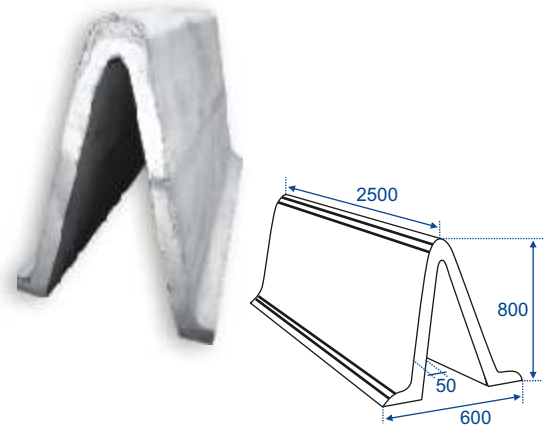
Barrier

British Embassy, New Delhi

Jersey Barrier



Central Barrier



Some of the advantages of precast concrete jersey barriers are as follows :

- Can be used in high security areas to control access and movement
- High stability and ability to restrain the vehicle in case of accident and collision
- The installation time is almost negligible as compared with construction of conventional medians.
- The median is uniform throughout its length as all pieces are factory made using uniform moulds

- Virtually zero maintenance costs
- The specifications of Jersey Barrier make it suitable for dividing roads with high traffic volume and density
- Novel method to relieve precious road space that can be used for accommodating additional vehicles on the roads

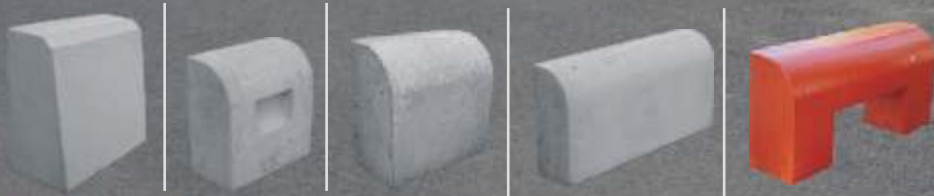
Applications

- Central Road Verges
- Road diversions
- Temporary Barriers
- Construction Site Boundary Barriers

Konkrete Precast Concrete Products are manufactured using the latest vibro-compaction techniques, accurately designed moulds, appropriate reinforcement with circular plastic spacers and a concrete grade of M25 and above. We can also produce customised products for your special needs, subject to large quantities. To order customised products, sizes, strength required and other necessary information needs to be sent.

In our constant endeavour to improve the products, the specifications may change without notice.

All dimensions are in mm



Kerb Stone
Gymkhana Club, Faridabad, Haryana

Specification



Product Photo	Dimensional Drawing	Product Code	Length (L)	Height (H)	Height (H1)	Thick-ness (T)	Thick-ness (T1)	Radius (R)
		KS-01	300	250	50	100	50	-
		KS-02	500	300	175	125	75	-
		KS-03	250	300	175	125	75	-
		KS-04	500	315	315	150	130	-
		KS-05	300	300	50	150	100	-
		KS-06	400	375	-	200	115	-
		KS-09	300	300	-	150	-	75
		KS-10	500	250	-	100	-	50
		KS-11	450	300	-	100	-	50
		KS-12	450	225	-	75	-	37
		KS-13	300	350	-	75	-	37
		KS-17	500	225	-	50	-	-

Konkrete Precast Concrete Products are manufactured using the latest vibro-compaction techniques, accurately designed moulds, appropriate reinforcement with circular plastic spacers and a concrete grade of M25 and above. We can also produce customised products for your special needs, subject to large quantities, strength required and other necessary information needs to be sent.

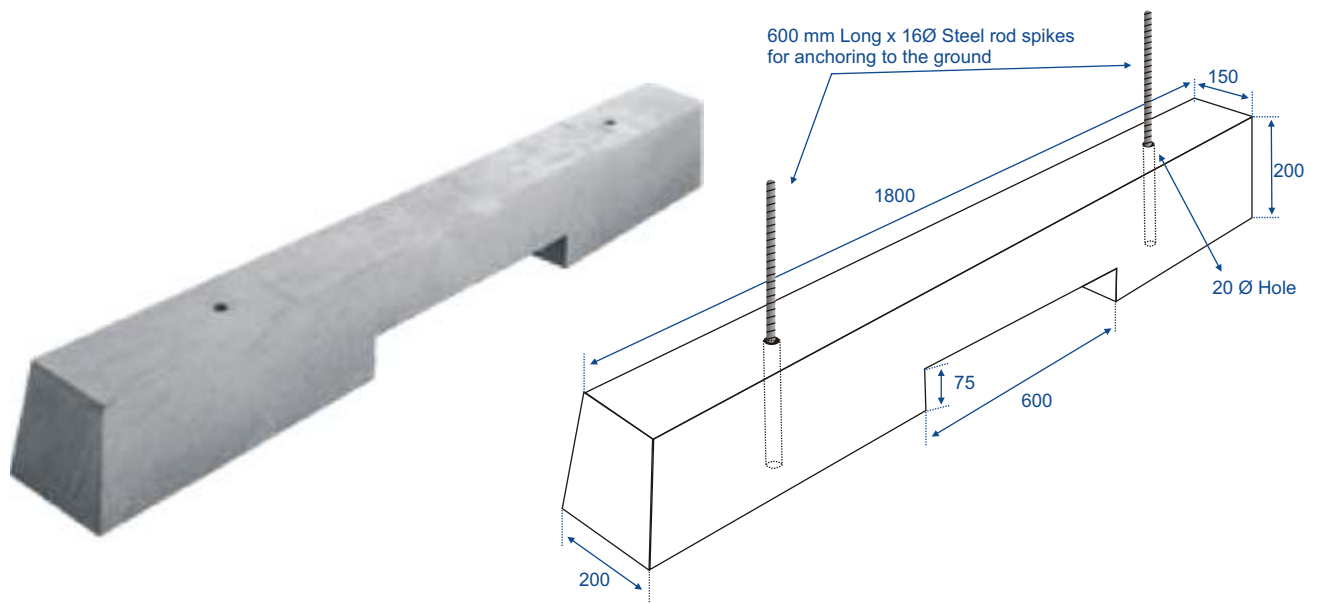
In our constant endeavour to improve the products, the specifications may change without notice.

All dimensions are in mm



Long Kerb Stone / Kerb Stone / Wheel Stopper / Road Divider

Sec 12 Huda Office, Faridabad



Advantages of using above kerb stone

1. Faster runoff of water from road to surrounding areas.
2. No water clogging on the roads & hence longer life of the road.
3. Rain water harvesting by the water is possible.
4. Can be used as a sitting area along the footpath.
5. No separate drainage pipe required.

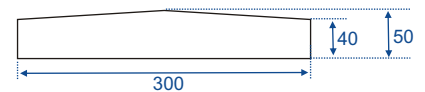
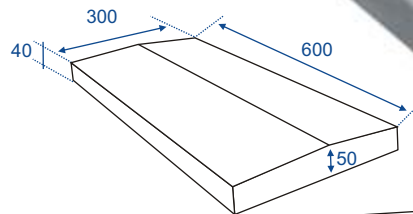
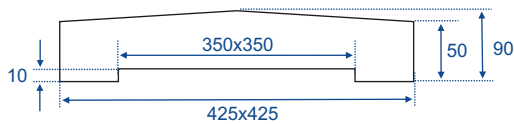
Konkrete Precast Concrete Products are manufactured using the latest vibro-compaction techniques, accurately designed moulds, appropriate reinforcement with circular plastic spacers and a concrete grade of M25 and above. We can also produce customised products for your special needs, subject to large quantities. To order customised products, sizes, strength required and other necessary information needs to be sent.

In our constant endeavour to improve the products, the specifications may change without notice.

All dimensions are in mm



Coping Stones
Dwarka, New Delhi



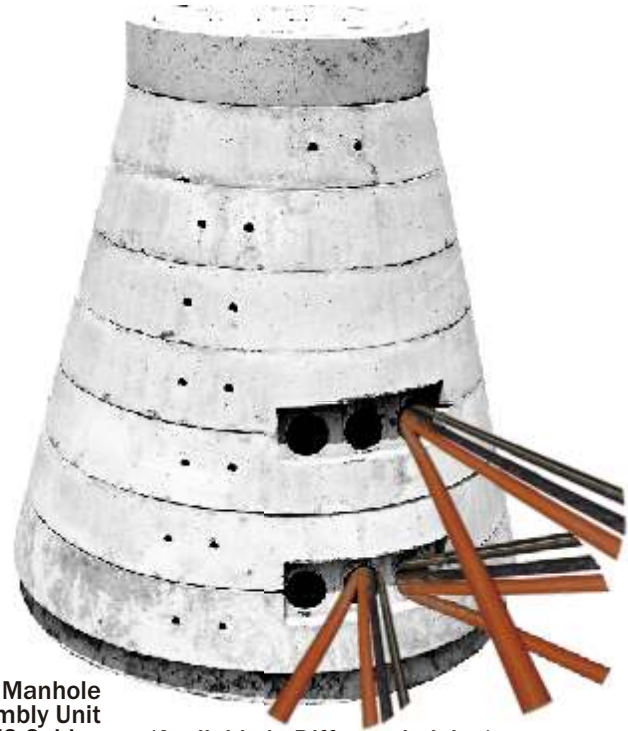
Konkrete Precast Concrete Products are manufactured using the latest vibro-compaction techniques, accurately designed moulds, appropriate reinforcement with circular plastic spacers and a concrete grade of M25 and above. We can also produce customised products for your special needs, subject to large quantities. To order customised products, sizes, strength required and other necessary information needs to be sent.

In our constant endeavour to improve the products, the specifications may change without notice.

All dimensions are in mm



Conical Biodiffuser



Conical Manhole
Assembly Unit
For OFC Cables

(Available in Different heights)



Fountain

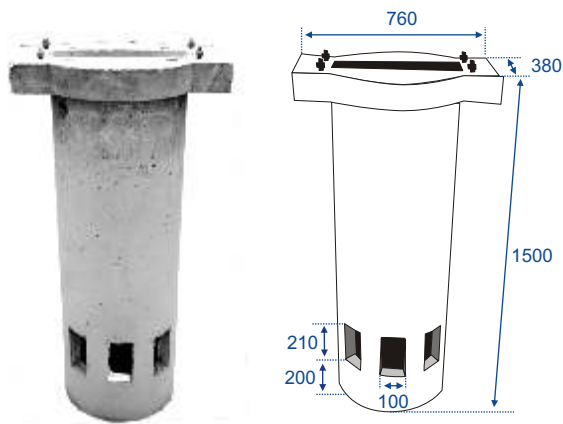


Jersey Barrier cum
Flower Pot

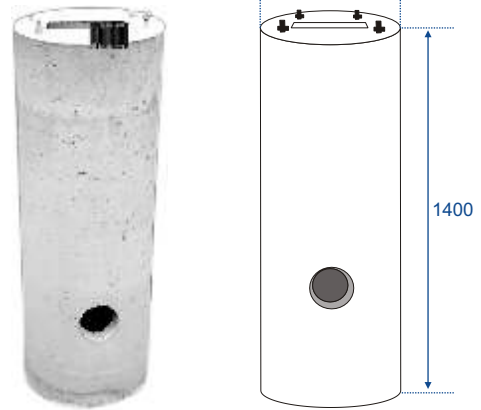
Konkrete Precast Concrete Products are manufactured using the latest vibro-compaction techniques, accurately designed moulds, appropriate reinforcement with circular plastic spacers and a concrete grade of M25 and above. We can also produce customised products for your special needs, subject to large quantities. To order customised products, sizes, strength required and other necessary information needs to be sent.

In our constant endeavour to improve the products, the specifications may change without notice.

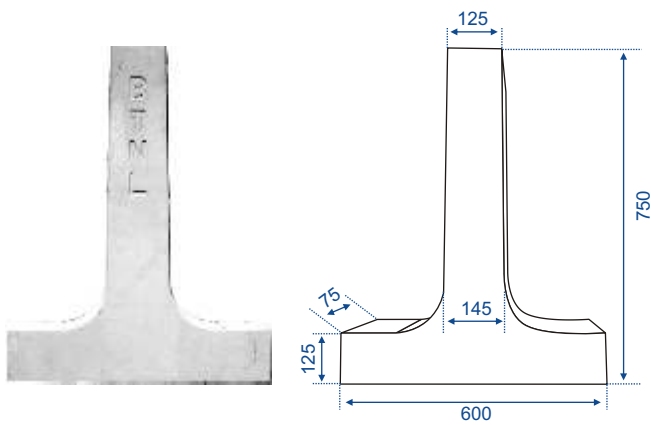
All dimensions are in mm



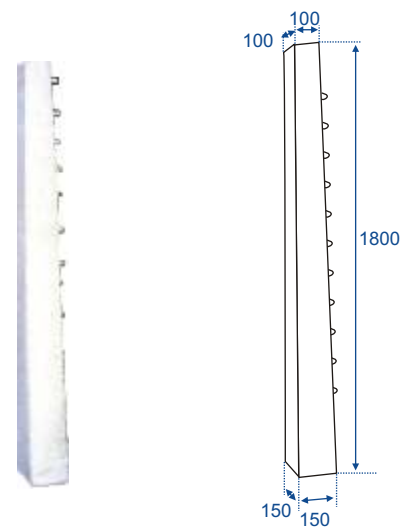
Pillar Base for Telecommunications network



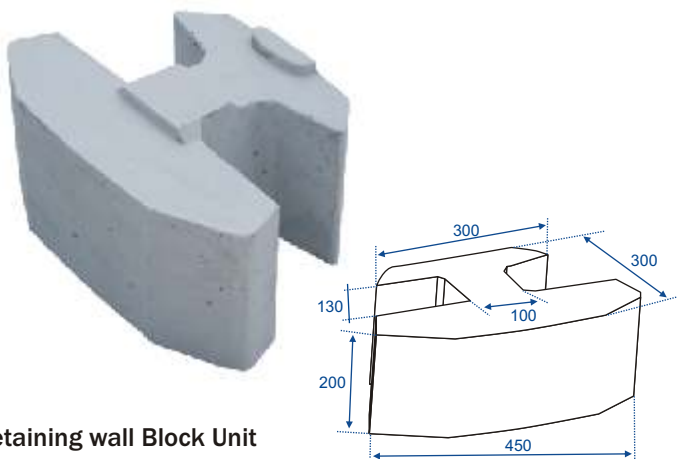
Sub Pillar for Telecommunications network



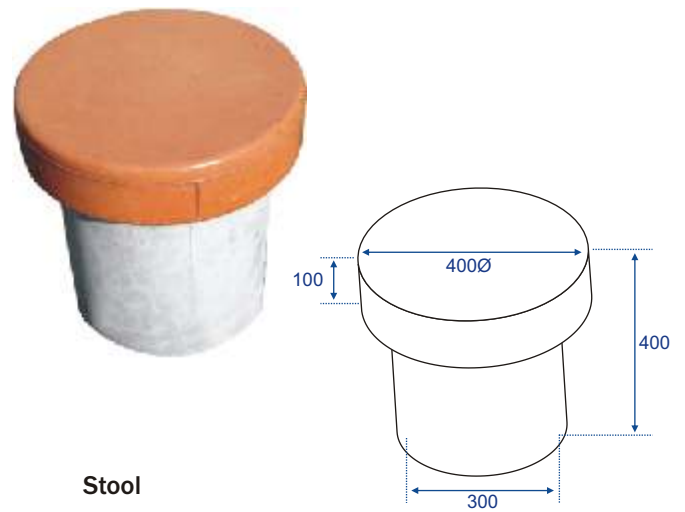
Route Indicator



Barbed Wire Fencing Post



Retaining wall Block Unit



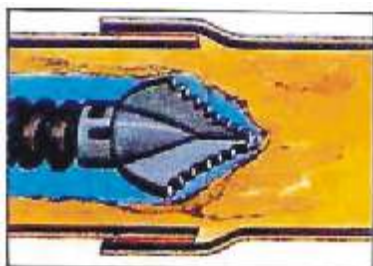
Stool

Konkrete Precast Concrete Products are manufactured using the latest vibro-compaction techniques, accurately designed moulds, appropriate reinforcement with circular plastic spacers and a concrete grade of M25 and above. We can also produce customised products for your special needs, subject to large quantities. To order customised products, sizes, strength required and other necessary information needs to be sent.

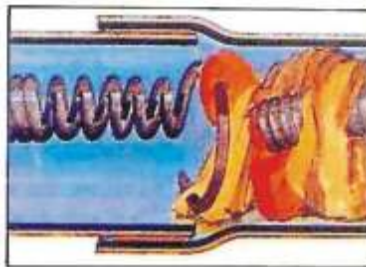
In our constant endeavour to improve the products, the specifications may change without notice.

All dimensions are in mm

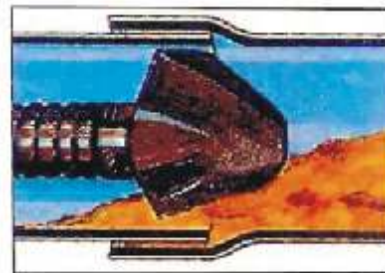
WATER PIPE CLEANING



Removes solid material from pipes & drains.



Helps in retrieving rags & cloths that may have been accidentally left in pipes & drains.



Clears sand, sludge and sedimentary deposits from pipelines & drains.

Welcome to world of revolution in water pipelines cleaning systems. A barrage of imported drills and cutters that prove their mettle in the toughest of situations, with fluid ease. Partially or fully choked water pipelines suffering with scaling formation, encrustation and related maintenance problems can be restored back to fluidity. Thanks to the superior technology that power our cleaning systems.

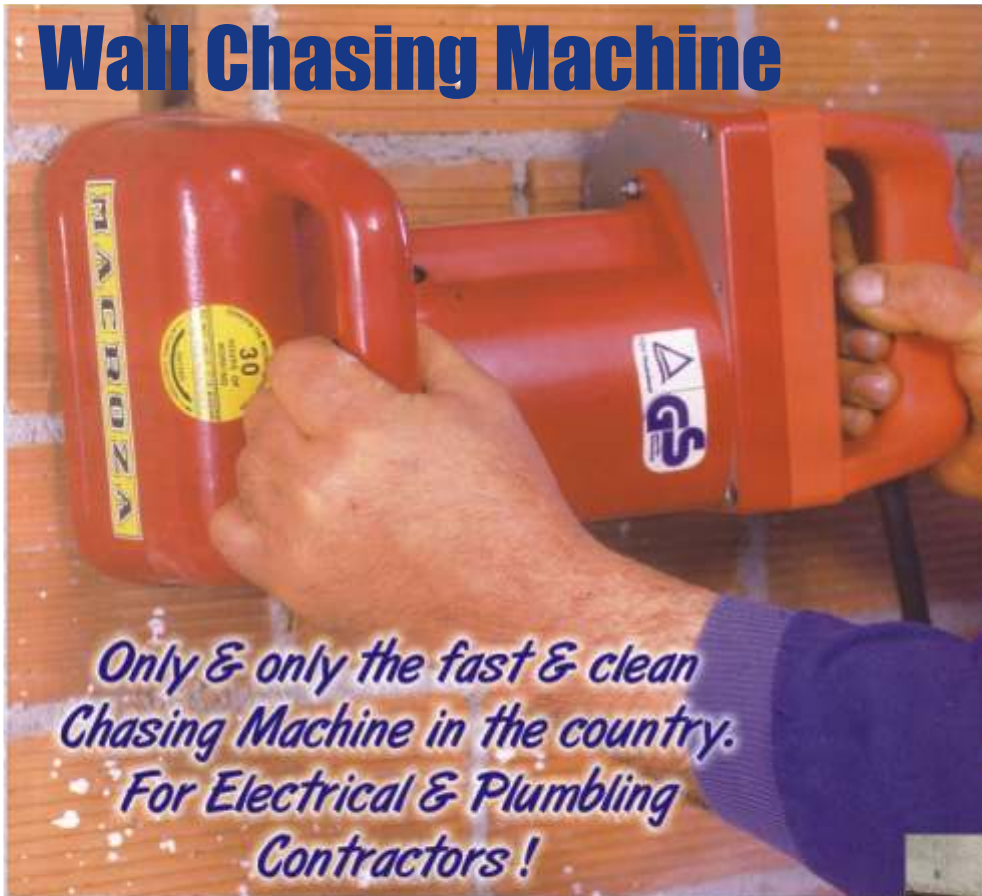
So versatile is the water pipeline cleaning machine, it can bend into every conceivable structure, above or below ground level. Be it horizontal or vertical pipes, or pipelines made of cast iron, steel, plastic and concrete. And can clear clogged or choked pipeline to a **length of 85 mts and pipes of 80 mm to 150 mm diameter.**

What's more, the cost of cleaning by this system will be approximately 1/4th as compared to the cost of replacement of the existing pipeline. Thus saving much valuable time and costs. With successful demonstrations having been made to the engineers of DJB & NDMC at actual sites, & having cleaned more than **300 km** of pipes for DJB , these cleaning systems save much inconvenience to the residents, while bringing a new lease of life to suffocated water pipelines.

Work Undertaken by :
K. K. SPUN PIPE
 (Engineers Contractors)
 12/16 S. P. Vihar, N. Delhi- 16(INDIA)
 CALL : 9810268711

MACROZA

Wall Chasing Machine



*Only & only the fast & clean
Chasing Machine in the country.
For Electrical & Plumbing
Contractors!*

It can be used with 4 different type of milling cutters, depending on the measure of cut require (DepthxWidth)



mod. RZ-10 (25mmx25mm)



mod. RZ-105 (30mmx30mm)



mod. RZ-11 (30mmx25mm)



mod. RZ-12 (45mmx15mm)

Machine



**Cement Blocks...
No Problem**



It Doesn't Make any Dust



**It is sustained by
itself to the Wall**

The Macroza Wall Chasing Machine makes exceptionally light and easy work of chasing in walls or partition walls for water heating and electrical installation TV... Etc.

The most powerful in the market - Its 2.4 HP motor allows you to work with any type of brick (solid or hollow), or cement blocks.

Timesaver - How long does it take you to cut a chase in cement-block walls? Users of the MACROZA wall chasing machine can be it in less than 20 seconds/metre.

DOES NOT BREAK OR DESTROY- Have you calculated the cost of the breakage caused by hand cutting? Compared with conventional methods the MACROZA will save you more than 80% in the time and materials.

NO MORE DUST - The Macroza wall chasing machine's slow cutting speed, does not grind the material. It pulls material out in minute pieces, so avoiding dust. It does not need any vacuum cleaner as the diamond-disk cutters do.

MORE METRES... LESS FATIGUE - No more chopping out with a cold chisel means you can cut many more metres and feel less tired! Its output can be up to 1.000 linear metre per day in hollow bricks and 450 metres in cement blocks and 450 metres in cement blocks.

IT IS SUSTAINED BY ITSELF TO THE WALL

- Due to its exclusive design, once the milling cutter is inside the wall the operator must only push and guide the machine. So, during work you do not have to sustain its weight.

BUILD TO LAST - Its simple robust construction makes it ideal for the rigorous work of opening chases, without breakdowns. The milling cutter has a life of up to approximately 18000 metres.

TECHNICAL DATA

ELECTRICAL	
Moror	Single phase
Voltage	230V - AC
Current at full load	2200W - 9Amp
Frequency	50/ Hz
DIMENSIONS:	
Weight	7.5 kg.
Cutting depth	25/30/35/45 mm.
Cutting width	15/25/30 mm
Cutter speed	1.000 r.p.m.
MATERIALS:	
Body	Cast Aluminium
Handle	Nylon
Cutter teeth	Tungsten Carbide

Mktd By : K. K. Manhole & Gratings Co. P. Ltd.
Mfd. by : **Macro s.I, Spain**

