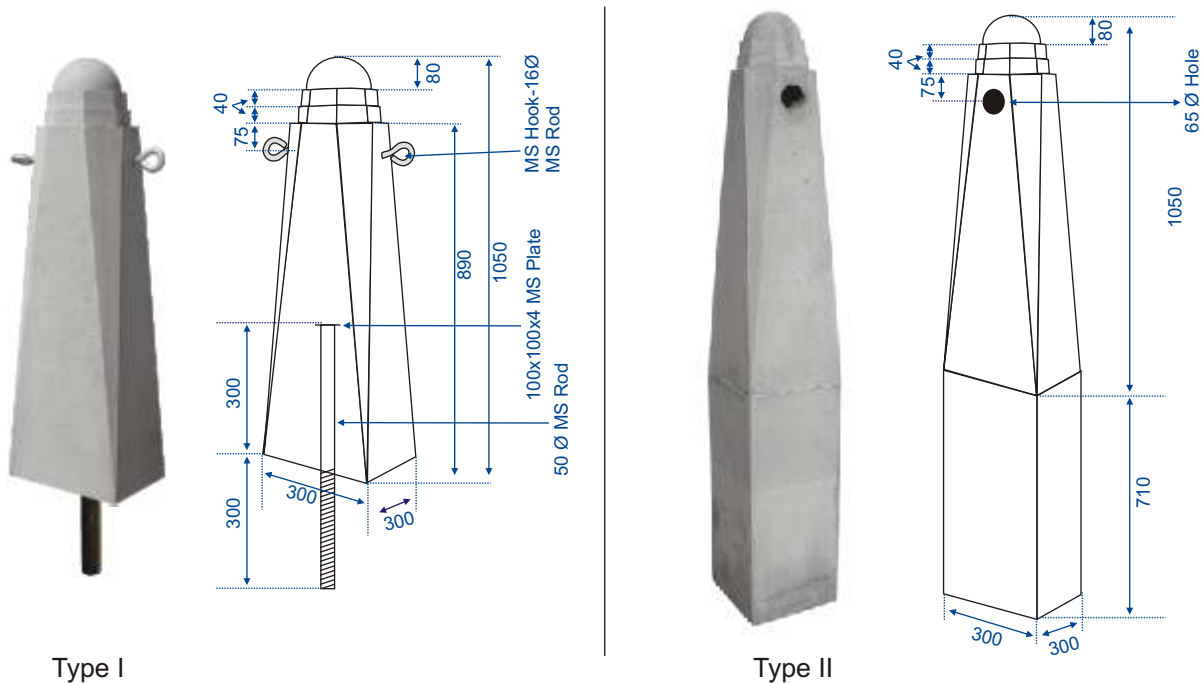




Fence, Bollard & Tree Guards



India Gate Bollards
Indraprastha Park in
Sarai Kalekha, New Delhi



Konkrete Precast Concrete Products are manufactured using the latest vibro-compaction techniques, accurately designed moulds, appropriate reinforcement with circular plastic spacers and a concrete grade of M25 and above. We can also produce customised products for your special needs, subject to large quantities. To order customised products, sizes, strength required and other necessary information needs to be sent.

In our constant endeavour to improve the products, the specifications may change without notice.

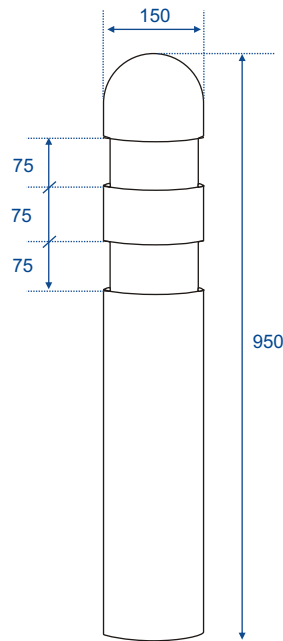
All dimensions are in mm



Cylindrical Bollard

Indraprastha Park, Sarai Kalekhan, New Delhi

Type I



Konkrete Precast Concrete Products are manufactured using the latest vibro-compaction techniques, accurately designed moulds, appropriate reinforcement with circular plastic spacers and a concrete grade of M25 and above. We can also produce customised products for your special needs, subject to large quantities. To order customised products, sizes, strength required and other necessary information needs to be sent.

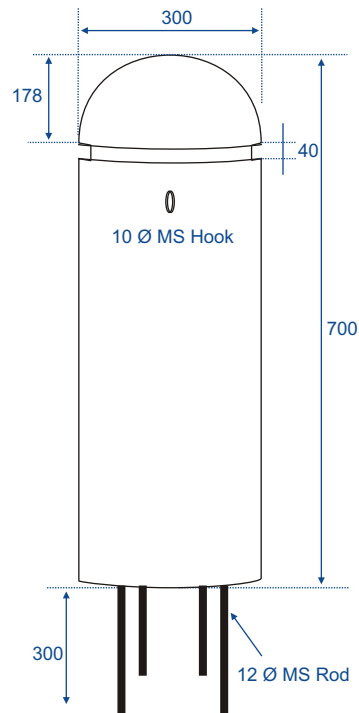
In our constant endeavour to improve the products, the specifications may change without notice.

All dimensions are in mm



Cylindrical Bollard
Our Bollards in USA

Type II



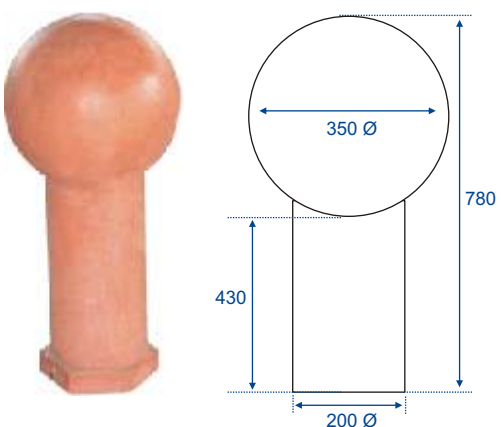
Konkrete Precast Concrete Products are manufactured using the latest vibro-compaction techniques, accurately designed moulds, appropriate reinforcement with circular plastic spacers and a concrete grade of M25 and above. We can also produce customised products for your special needs, subject to large quantities. To order customised products, sizes, strength required and other necessary information needs to be sent.

In our constant endeavour to improve the products, the specifications may change without notice.

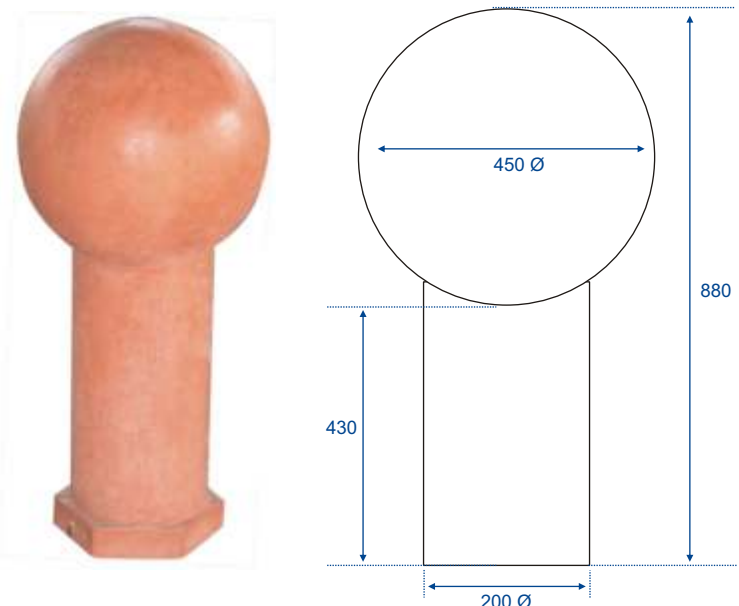
All dimensions are in mm



Spherical Bollard
Baba Khadak Singh Marg, New Delhi



Type I



Type II

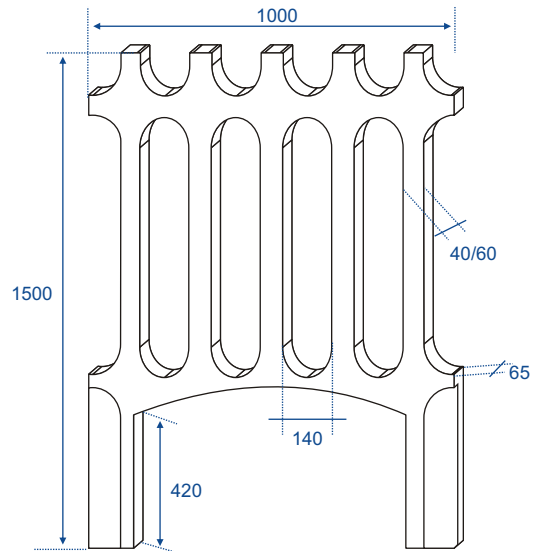
Konkrete Precast Concrete Products are manufactured using the latest vibro-compaction techniques, accurately designed moulds, appropriate reinforcement with circular plastic spacers and a concrete grade of M25 and above. We can also produce customised products for your special needs, subject to large quantities. To order customised products, sizes, strength required and other necessary information needs to be sent.

In our constant endeavour to improve the products, the specifications may change without notice.

All dimensions are in mm



Fence Majestic
International Airport, New Delhi



Konkrete Precast Concrete Products are manufactured using the latest vibro-compaction techniques, accurately designed moulds, appropriate reinforcement with circular plastic spacers and a concrete grade of M25 and above. We can also produce customised products for your special needs, subject to large quantities. To order customised products, sizes, strength required and other necessary information needs to be sent.

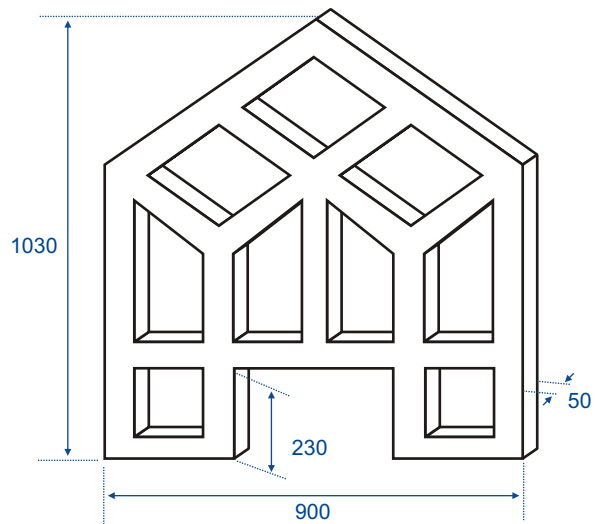
In our constant endeavour to improve the products, the specifications may change without notice.

All dimensions are in mm



Fences Diamond

Bus Stop, Greater Noida, Uttar Pradesh



Konkrete Precast Concrete Products are manufactured using the latest vibro-compaction techniques, accurately designed moulds, appropriate reinforcement with circular plastic spacers and a concrete grade of M25 and above. We can also produce customised products for your special needs, subject to large quantities. To order customised products, sizes, strength required and other necessary information needs to be sent.

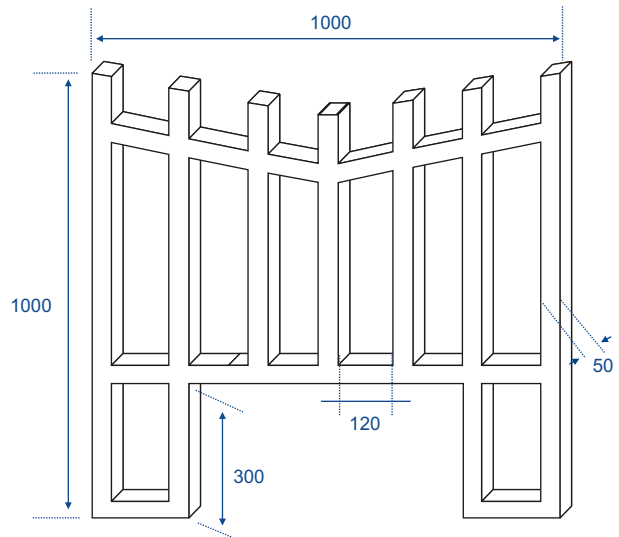
In our constant endeavour to improve the products, the specifications may change without notice.

All dimensions are in mm



Fences "V" Shape

Traffic Training Park, Faridabad, Haryana



Konkrete Precast Concrete Products are manufactured using the latest vibro-compaction techniques, accurately designed moulds, appropriate reinforcement with circular plastic spacers and a concrete grade of M25 and above. We can also produce customised products for your special needs, subject to large quantities. To order customised products, sizes, strength required and other necessary information needs to be sent.

In our constant endeavour to improve the products, the specifications may change without notice.

All dimensions are in mm

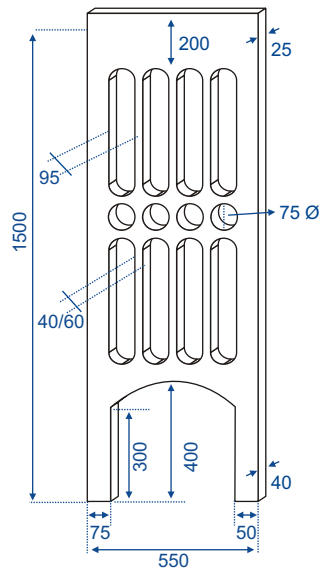


Tree Guard

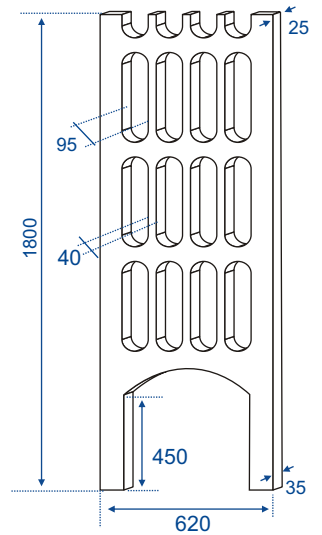
Leisure Vally Park, Faridabad



TG 02



TG 03



Konkrete Precast Concrete Products are manufactured using the latest vibro-compaction techniques, accurately designed moulds, appropriate reinforcement with circular plastic spacers and a concrete grade of M25 and above. We can also produce customised products for your special needs, subject to large quantities. To order customised products, sizes, strength required and other necessary information needs to be sent.

In our constant endeavour to improve the products, the specifications may change without notice.

All dimensions are in mm