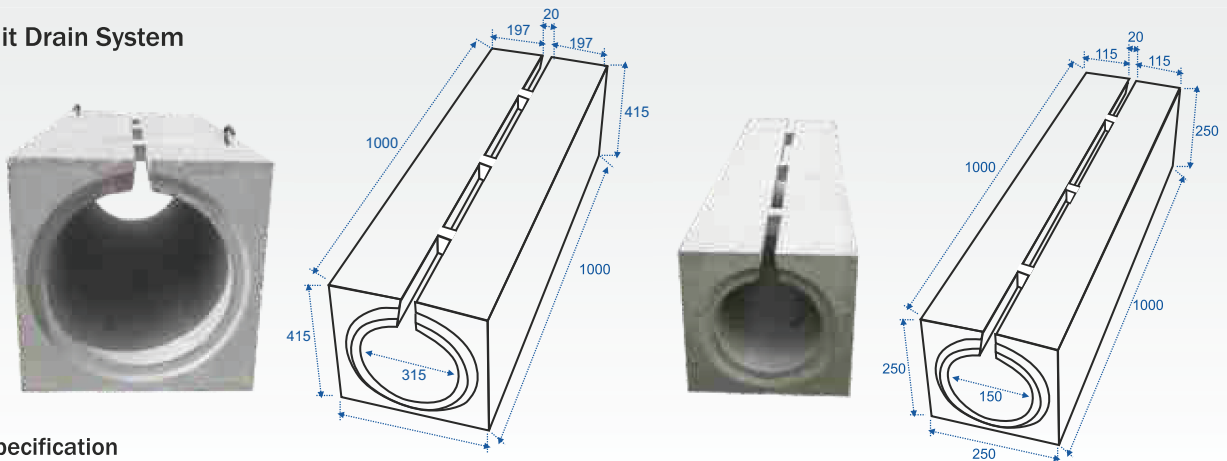


# Draining System

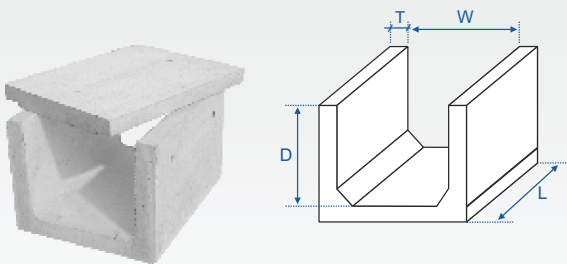
## Slit Drain System



### Specification

- Manufactured with M - 30 grade of concrete by vibro compaction process
- Suitably reinforced for handling and to withstand light to extra heavy duty loads
- Provided with a tongue and groove joint to create a water tight joint between adjacent units (it is recommended to fill the groove with cement mortar)
- The drain should be installed on a properly compacted base

## U-Drain

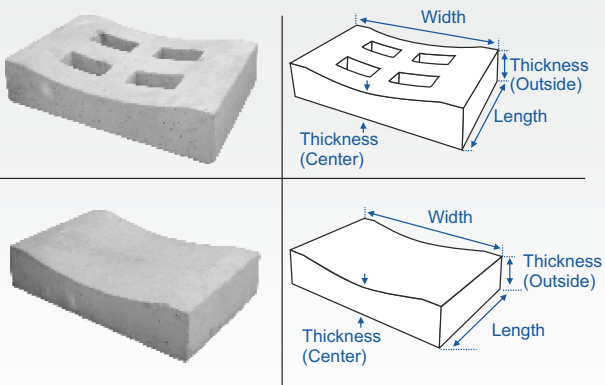


Product Code	W	D	T	L
DR-01	200	250	50	500
DR-02	300	300	50	500
DR-03	300	375	50	500
DR-04	300	450	50	500
DR-05	350	500	60	400
DR-06	340	315	60	610
DR-07	585	310	70	610
DR-08	685	355	80	475
DR-09	855	300	80	500

### Specification

Manufactured by using M30 grade concrete & reinforced suitably to take loads as required. Drain cover are manufactured & designed according to the requirement of the customer.

## Saucer Drain



### Standard Sizes of Saucer Drain

Product Code	Width	Length	Thickness (Center)	Thickness (Outside)
SD-01	450	300	75	100
SD-02	450	600	75	100
SD-03	600	450	75	100
SD-04	300	300	75	100
SD-05	300	600	75	100
SD-06	300	900	75	100

### Specification

Manufactured by using M30 grade of concrete & perforated saucers drain are suitably reinforced to take loads as required by the customer.