

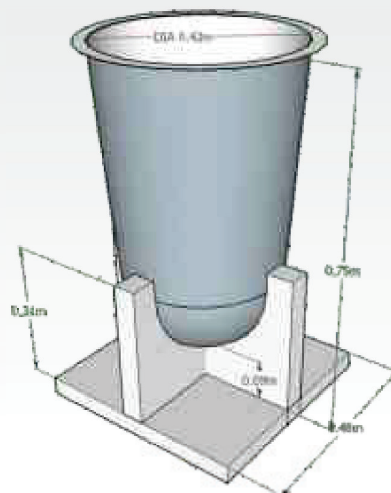
Trash Can / Dust Bin



Design Patent Applied No. 281898

Specification

- Suitably reinforced for long use and to prevent damage during transportation & handling
- The outside surface of the dust bin has an exposed aggregate surface of approved marble chips combination
- Each bin has a hole of 50mm dia. at the bottom for drainage.



The dustbin consists of an easy-to-empty fiberglass bin supported on a precast concrete base. This concept is unique because the fiberglass bin has a hemispherical bottom to discourage theft (the bin is not self-standing without the precast base). Moreover both fiberglass bin and precast concrete base have low resale value.

The fiberglass bin has holes at the bottom to allow liquid drainage and to prevent use of fiberglass bin for other purposes.