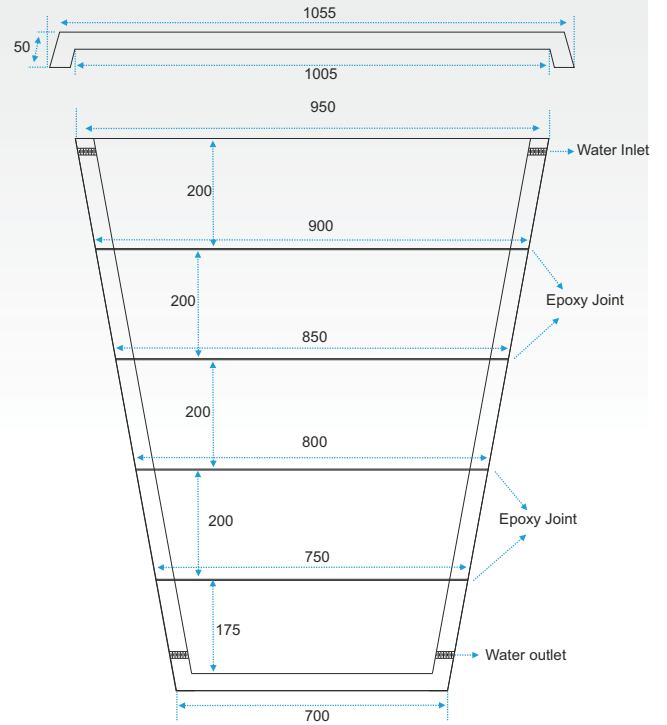


# Konkrete Water Tank



\* Design Patent Applied No 283530



Assembled  
**KONKRETE WATER TANK with LID**  
Capacity 450 ltr



Unassembled Konkrete Rings  
transported to site &  
Assembled at site  
using special adhesive.

