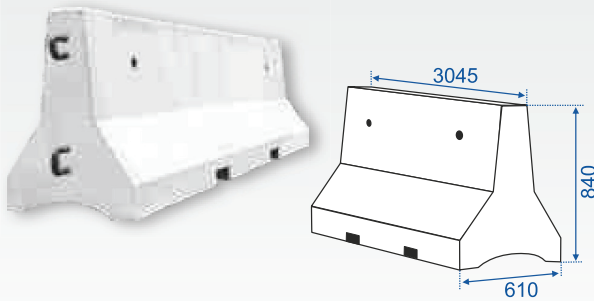


# Barrier

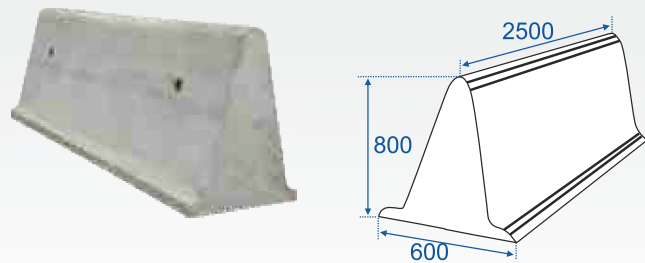


Jersey Barrier

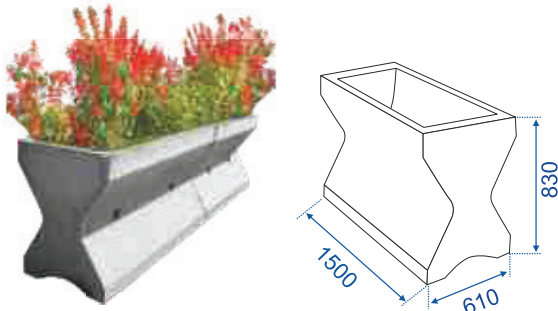
Jersey Barrier



Central Barrier



Jersey Barrier cum Flower Pot



**Some of the advantages of precast concrete jersey/Central barriers are as follows:**

- Can be used in high security areas to control access and movement
- High stability and ability to restrain the vehicle in case of accident and collision
- The installation time is almost negligible as compared with construction of conventional medians.
- The median is uniform throughout its length as all pieces are factory made using uniform moulds
- Virtually zero maintenance costs
- The specifications of Jersey Barrier make it suitable for dividing roads with high traffic volume and density
- Novel method to relieve precious road space that can be used for accommodating additional vehicles on the roads

**Applications**

- Central Road Verges
- Road diversions
- Temporary Barriers
- Construction Site Boundary Barriers

**Specification**

- Manufactured by M-30 grade of concrete using vibro-compaction process
- Reinforced with 8 mm dia. Tor steel at 150mm center to center both ways