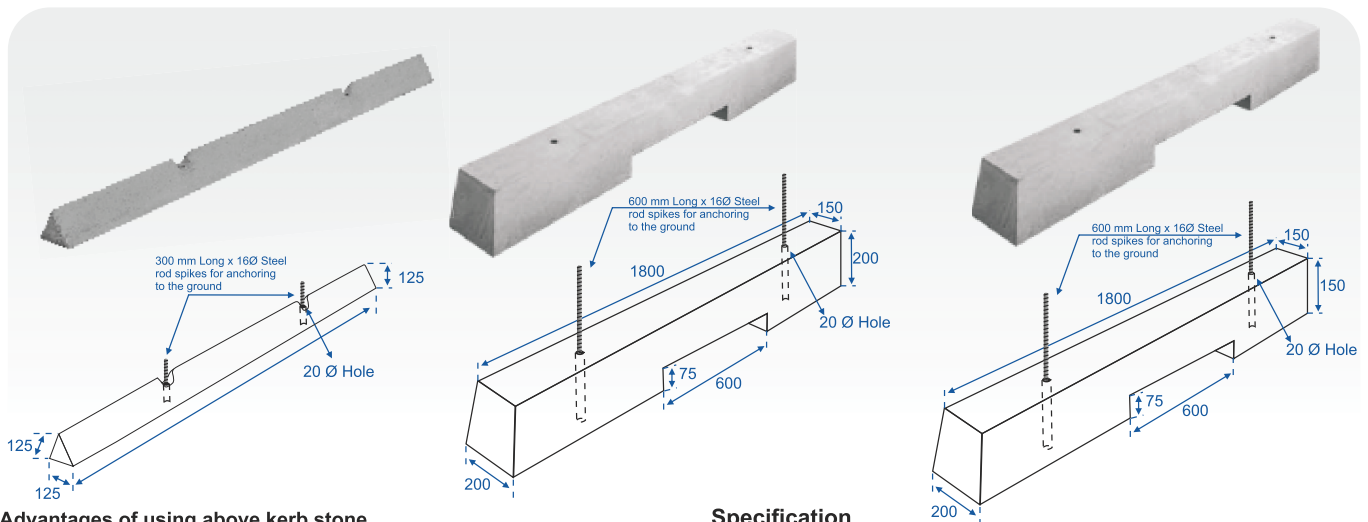


Kerb Stone

Long Kerb Stone/Kerb Stone/ Wheel Stopper/Road Divider



Sec 12 Huda Office, Faridabad



Advantages of using above kerb stone

1. Faster runoff of water from road to surrounding areas.
2. No water clogging on the roads & hence longer life of the road.
3. Rain water harvesting by the water is possible.
4. Can be used as a sitting area along the footpath.
5. No separate drainage pipe required.

Specification

- Manufactured by using M-30 grade of concrete using vibro compaction process using joint less moulds
- Reinforced with 4 Nos of 8 mm dia Tor Steel & 6 mm dia Stirrup @ 150 mm c/c along the length
- Provided with a slot of 600 X 75 mm in the center & at bottom for water drainage & 2 holes of 20 mm dia through out the depth of kerb for fixing the nails for the purpose of anchoring the kerb to the ground. (NOTE: COST OF NAILS NOT INCLUDED)



<p>KS - 01</p>	<p>KS - 01a</p>	<p>KS - 02</p>	<p>KS - 03</p>
<p>KS - 04</p>	<p>KS - 05</p>	<p>KS - 05a</p>	<p>KS - 06</p>
<p>KS - 07</p>	<p>KS - 08</p>	<p>KS - 08a</p>	<p>KS - 09</p>
<p>KS - 09a</p>	<p>KS - 10</p>	<p>KS - 11</p>	<p>KS - 12</p>
<p>KS - 13</p>	<p>KS - 14</p>	<p>KS - 17</p>	<p>KS - 18</p>
<p>KS - 19</p>	<p>KS - 19a</p>	<p>KS - 20</p>	<p>Specification</p> <p>KK uses wet casting in the manufacture of all kerb stones KK products provide consistent long term performance All kerb stones are made from concrete mix design with a minimum 28 day compressive strength of 30MPa (also known as M30)</p> <p>NOTE: Kerb stones with holes (semi circular) for draining can also be manufactured.</p>
<p>KS - 21</p>	<p>KS - 22</p>	<p>KS - 23</p>	