

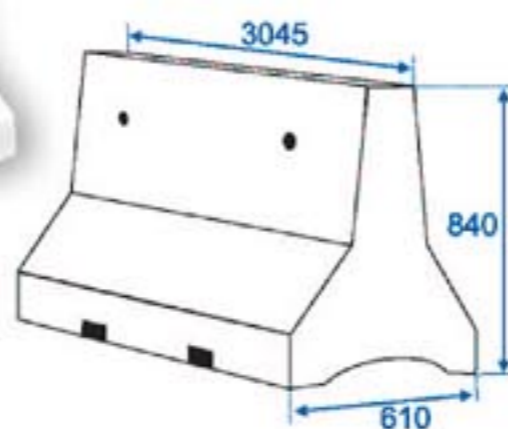


Barrier

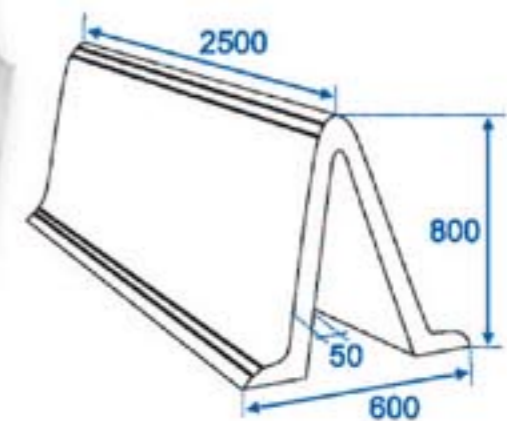
British Embassy, New Delhi



Jersey Barrier



Central Barrier



Some of the advantages of precast concrete jersey barriers are as follows:

- Can be used in high security areas to control access and movement
- High stability and ability to restrain the vehicle in case of accident and collision
- The installation time is almost negligible as compared with construction of conventional medians.
- The median is uniform throughout its length as all pieces are factory made using uniform moulds

- Virtually zero maintenance costs
- The specifications of Jersey Barrier make it suitable for dividing roads with high traffic volume and density
- Novel method to relieve precious road space that can be used for accommodating additional vehicles on the roads

Applications

- Central Road Verges
- Road diversions
- Temporary Barriers
- Construction Site Boundary Barriers

Konkrete Precast Concrete Products are manufactured using the latest vibro-compaction techniques, accurately designed moulds, appropriate reinforcement with circular plastic spacers and a concrete grade of M30 and above. We can also produce customised products for your special needs, subject to large quantities. To order customised products, sizes, strength required and other necessary information needs to be sent. In our constant endeavour to improve the products, the specifications may change without notice.

All dimensions are in mm

BENEFITS OF PRECAST CONCRETE

CHEMICAL RESISTANCE - PRECAST CONCRETE IS RESISTANT TO MOST SUBSTANCES. HOWEVER NO MATERIAL IS COMPLETELY IMMUNE TO ATTACK FROM AGGRESSIVE CHEMICAL AGENTS. THUS IT IS WISE TO CHOOSE THE MATERIAL WITH THE LONGEST EXPECTED SERVICE LIFE. PRECAST CONCRETE PRODUCTS CAN BE DESIGNED TO WITHSTAND ANTICIPATED CORROSIVE AGENTS.