

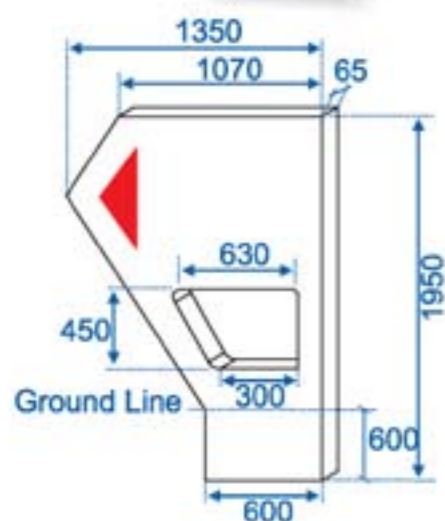


Road Indicator

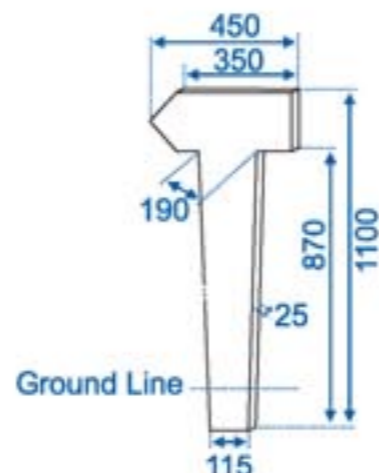
Bus Stop, Greater Noida, Uttar Pradesh



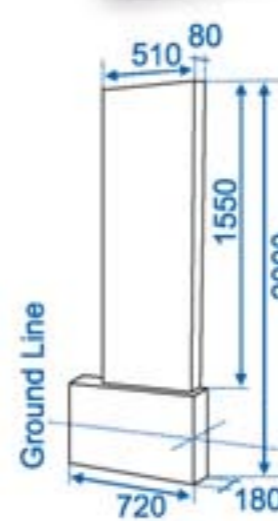
IND - 01



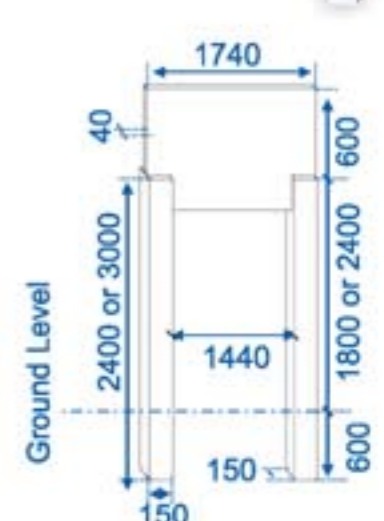
IND - 02 (Plot Indicator)



IND - 03



IND - 04



Konkrete Precast Concrete Products are manufactured using the latest vibro-compaction techniques, accurately designed moulds, appropriate reinforcement with circular plastic spacers and a concrete grade of M30 and above. We can also produce customised products for your special needs, subject to large quantities. To order customised products, sizes, strength required and other necessary information needs to be sent. In our constant endeavour to improve the products, the specifications may change without notice.

All dimensions are in mm

BENEFITS OF PRECAST CONCRETE

FIRE RESISTANCE – PRECAST CONCRETE IS NONCOMBUSTIBLE. ALSO, CONCRETE DOES NOT LOSE ITS STRUCTURAL CAPACITY NEARLY AS QUICKLY AS STEEL. OTHER MATERIALS BESIDES CONCRETE AND STEEL ARE FLAMMABLE AND / OR DO NOT PERFORM WELL IN ELEVATED TEMPERATURES.