

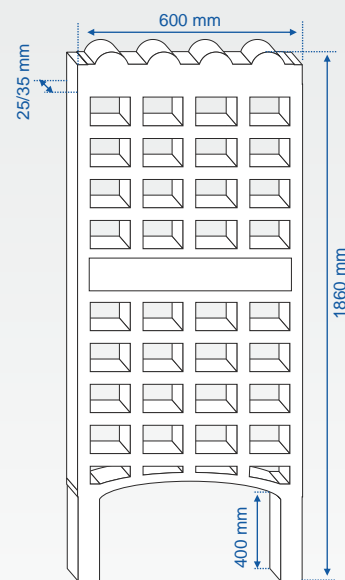
Fence, Bollard & Tree Guards



Tree Guard
B.P.T.P., Faridabad



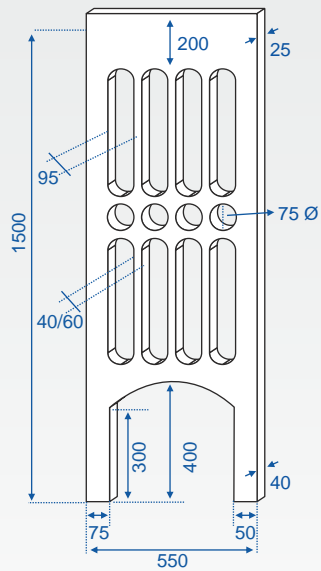
TG 01



Height : 1860 mm
Width : 600 mm
Thickness : 25/35 mm
Size of opening : 100x100
Color : Natural (Grey)
Grade of concrete : M-30

Specification

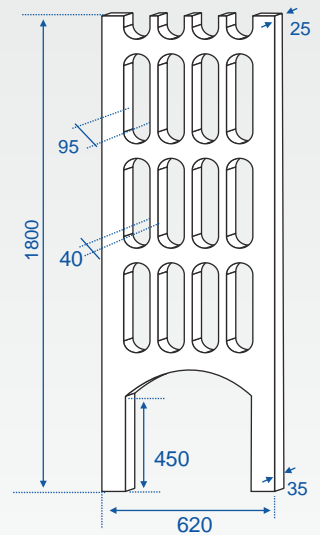
- Consist of four panels of size 1860mm (Height) X 600mm (Width) X 25/35mm (thickness); Size of opening: 100mm X 100mm
- Manufactured with M-30 grade of concrete using vibro-compaction process using jointless FRP moulds so as to achieve shuttering finish
- Suitably reinforced to promote long use and to prevent damage during handling, transportation & erection.



TG 02

Specification

- Consist of four panels of size 1500mm (Height) X 550mm (Width) X 25/40mm (thickness)
- Manufactured with M-30 grade of concrete using vibro-compaction process using jointless FRP moulds so as to achieve shuttering finish
- Suitably reinforced to promote long use and to prevent damage during handling, transportation & erection.



TG 03

Specification

- Consist of four panels of size 1800mm (Height) X 620mm (Width) X 25/35mm (thickness) .
- Manufactured with M-30 grade of concrete using vibro-compaction process using jointless FRP moulds so as to achieve shuttering finish.
- Suitably reinforced to promote long use and to prevent damage during handling, transportation & erection