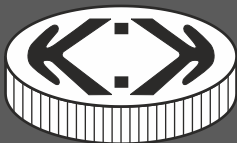


PRODUCT PORTFOLIO

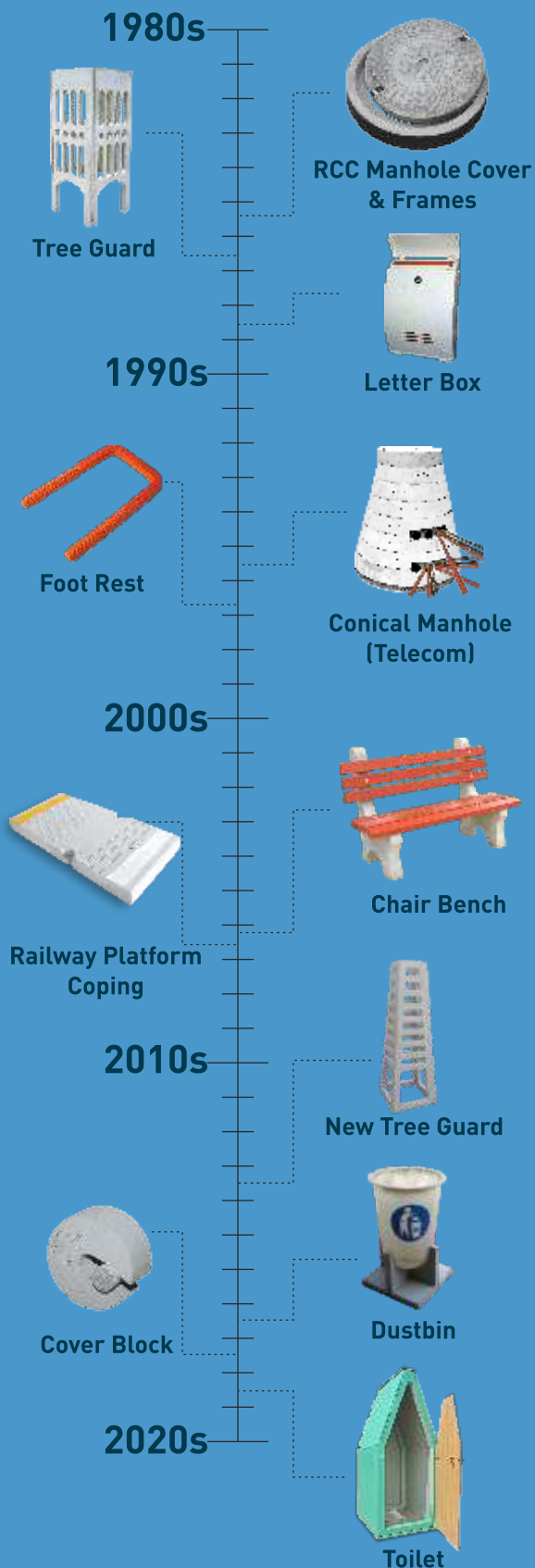


*"Home of Innovative & Quality
Solutions for Construction
since 1984"*



KK MANHOLE & GRATINGS
Company Private Limited

INNOVATIONS THAT ARE TRANSFORMING INDIA



KK IS INDIA'S LEADING INNOVATOR OF PRECAST CONCRETE SOLUTIONS

We at KK strive to solve India's problems by leveraging precast concrete solutions.

In the Indian context, precast concrete is ideally suited because it is economical, durable, theft proof & moldable in many shapes & patterns.

Over the years, we have been instrumental in pioneering numerous products that solve India specific problems. This relentless pursuit for new ideas has placed us at the leading edge of India centric prefabricated construction technology.

We are focused and determined to continue this journey to bring innovative solutions to enable Indian construction industry to build faster, better & smarter.



Why KK ?

World class solutions are built on relentless application of common sense with the objective of constant improvement, so we are proud of our focus on applying this principle for quality control, product design, and service orientedness.

National Capability

Operating from four plants located in North & South India, KK produces a diverse range of precast concrete and ancillary products.

Industry Best Quality

We use state of the art equipment for proper batching, mixing, and handling of finished concrete products combined with rigorous testing at multiple stages to ensure a quality product.

Batching - We use computer controlled weigh batching systems for accurate dispensing of raw materials.

Mixing - We use customized pan and/or rotary drum mixers for thorough mixing.

Handling - We use forklifts and overhead gantry cranes to handle the finished product to minimize damage due to human error.

Testing - We test our products for compressive strength by casting standardized cubes and breaking them after 7 and/or 28 days.

One Stop Shop

We offer everything from landscaping, sewage drainage, storm water management, road barriers, boundary walls, coping stones, toilets, and road infrastructure.

A Leader in Precast Solutions

We are composed of seasoned industry experts with deep qualification in engineering and design. Our team is able to work with clients to understand their custom requirements and deliver meaningful & cost effective solutions.

BENEFITS OF PRECAST CONCRETE

A cost effective construction option

Significant cost savings can be realised through areas such as.

- Proper planning of construction activities with manufacture of precast along side on-site construction.
- Reduced scaffolding & formwork cost.
- Reduced construction time & earlier revenue realization.
- Reduced weather dependency - Inclement weather will not delay construction allowing the job to be finished on-time.
- No downtime due to curing time.
- Reduced on-site labor.

Aesthetic

- Precast products have superior surface finish as vibration can be done properly.

- Precast products can incorporate several decorative surface finishes such as exposed aggregate, terrazzo etc.
- Precast products can be made to resemble myriad textures and patterns.

Durable

- Precast allows accurate placement of reinforcement compared to on-site construction.
- Precast concrete also allows proper cover to be maintained significantly extending the life of the structure.

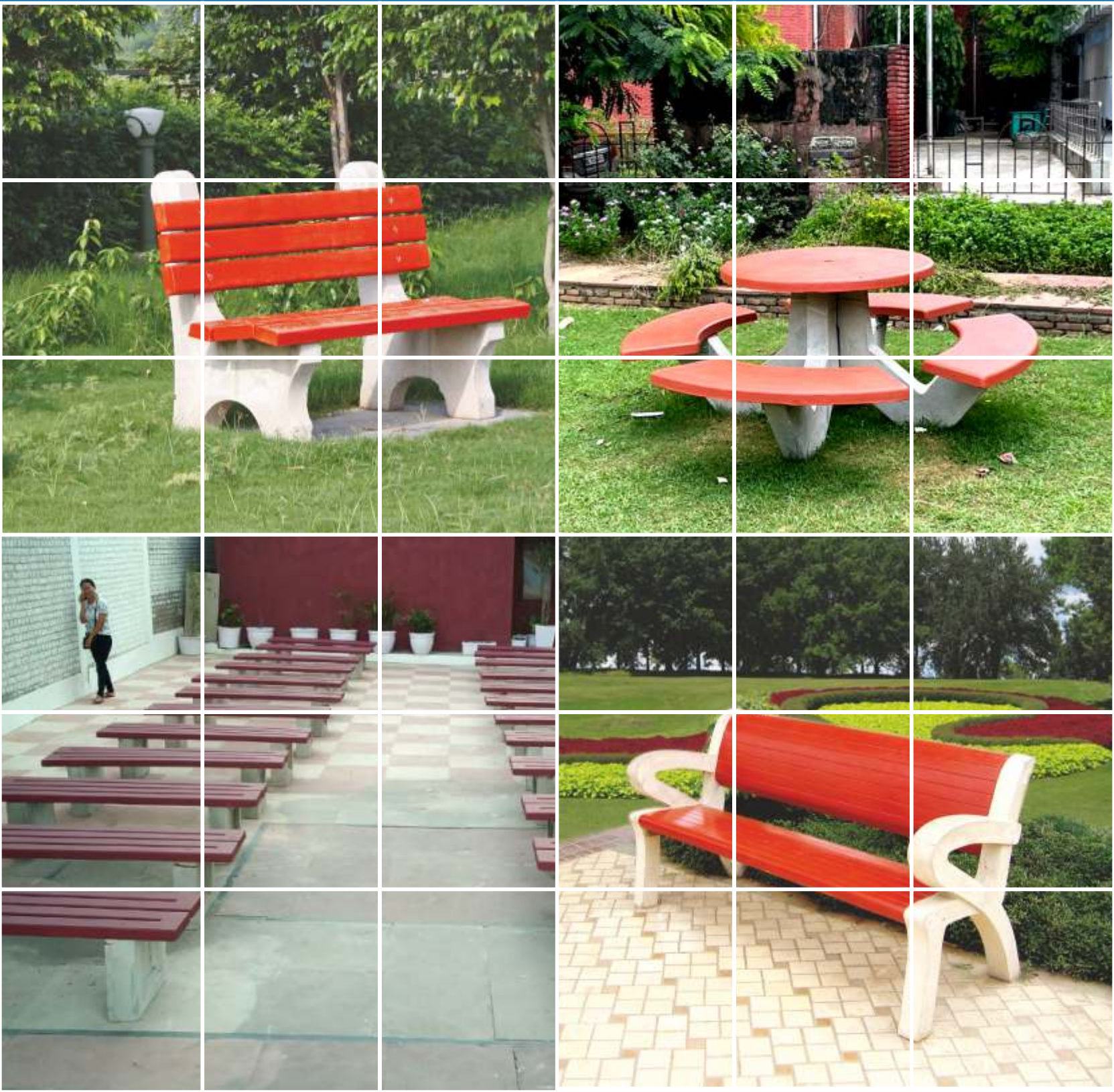
Theft Proof

- Owing to its weight & low resale value, precast concrete is more or less theft proof.



*“Home of Innovative & Quality
Solutions for Construction
since 1984”*

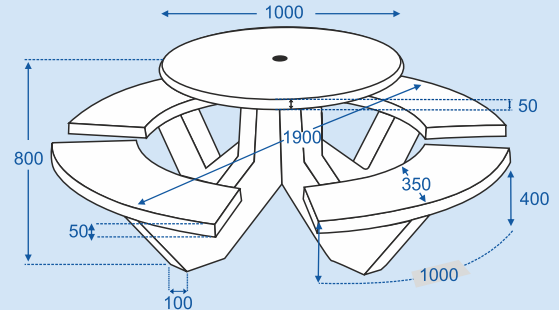
OUTDOOR FURNITURE



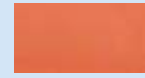


OUTDOOR FURNITURE

ROUND TABLE WITH 4 BENCH

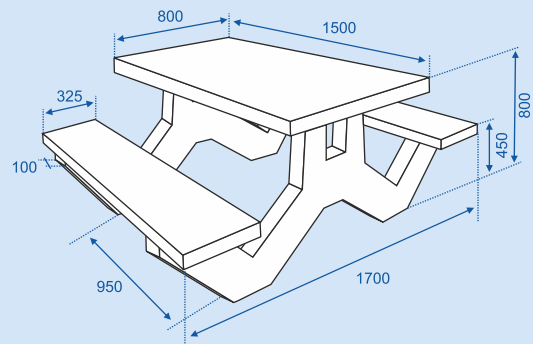


**FINISH
OPTION**

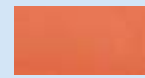


RED

RECTANGULAR TABLE WITH 2 BENCH

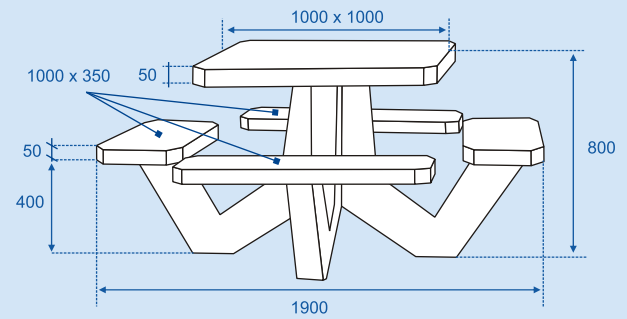


**FINISH
OPTION**

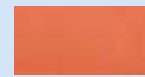


RED

SQUARE TABLE WITH 4 BENCH

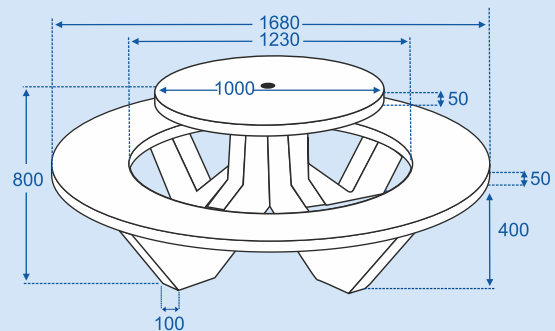


**FINISH
OPTION**

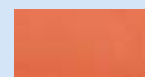


RED

ROUND TABLE WITH ROUND BENCH



**FINISH
OPTION**

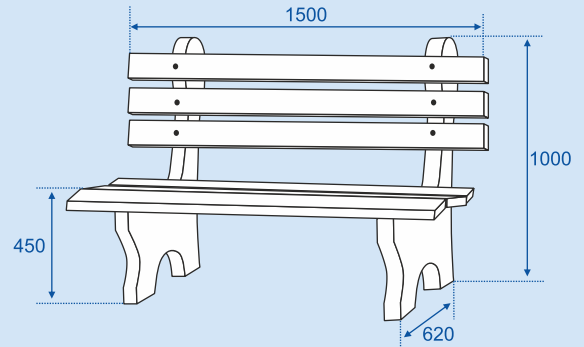


RED



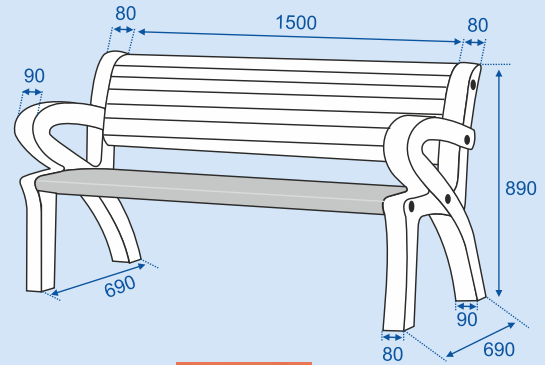
OUTDOOR FURNITURE

CHAIR BENCH WITH BACK REST



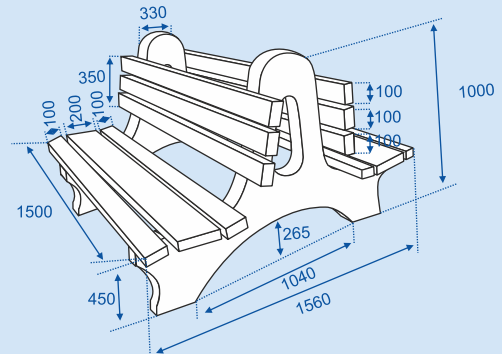
FINISH OPTION  RED

CHAIR BENCH WITH HAND REST



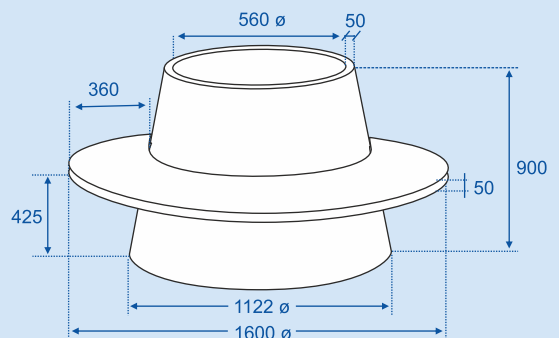
FINISH OPTION  RED

DOUBLE SIDE CHAIR BENCH WITH BACK REST



FINISH OPTION  RED

CIRCULAR BENCH WITH BACK REST

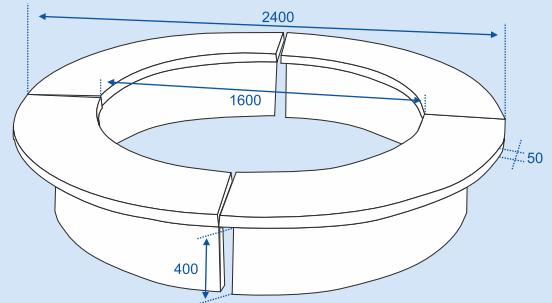


FINISH OPTION  RED

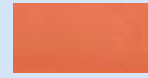


OUTDOOR FURNITURE

CURVE BENCH ROUND SHAPE

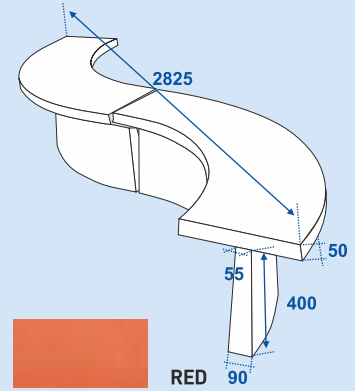


FINISH
OPTION



RED

CURVE BENCH WITH S SHAPE

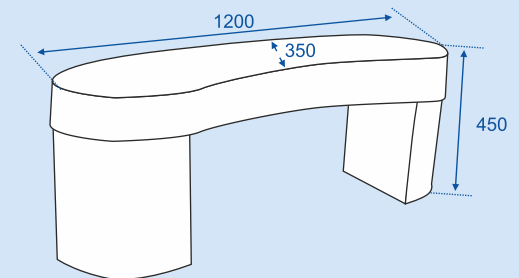


FINISH
OPTION

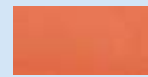


RED

CURVED BENCH

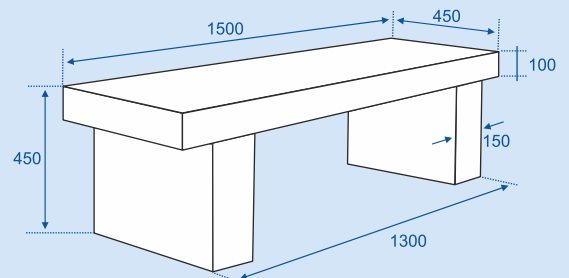


FINISH
OPTION

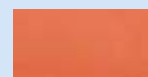


RED

RECTANGULAR BENCH (TYPE 1)



FINISH
OPTION

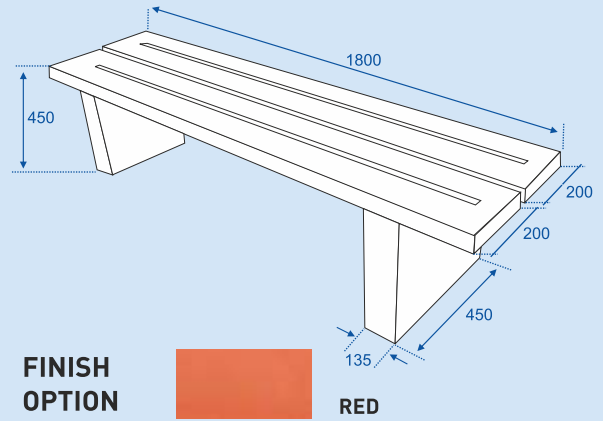


RED

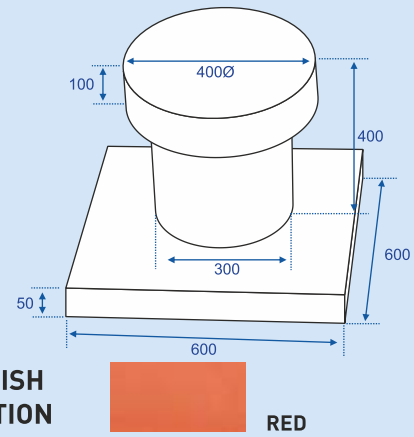


OUTDOOR FURNITURE

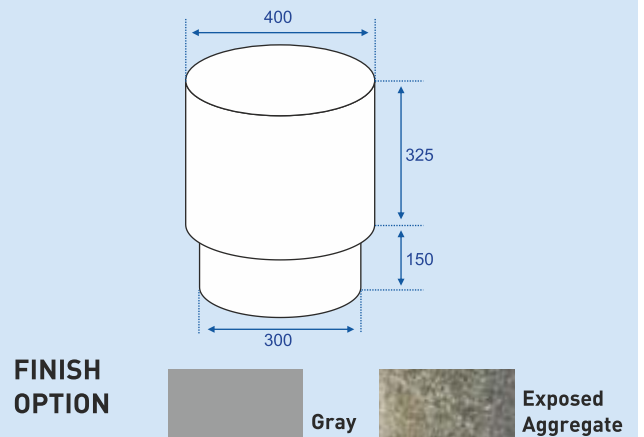
RECTANGULAR BENCH (TYPE 2)



STOOL



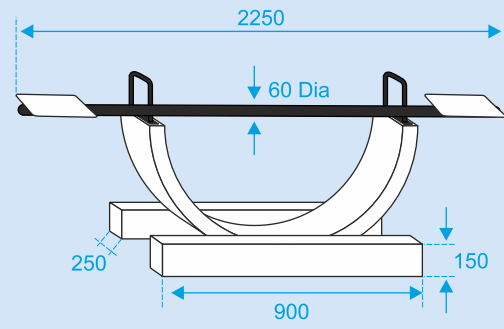
CYLINDRICAL BOLLARD CUM STOOL





OUTDOOR FURNITURE

SEE SAW

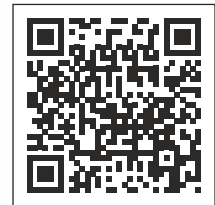


Design Patent Applied no. 281897

KEY ADVANTAGES

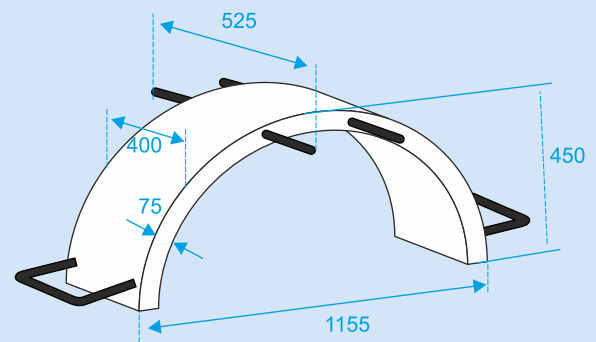
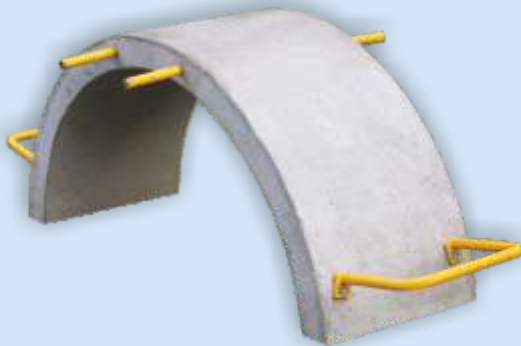
- Heavy Duty and Durable.
- Theft & maintenance proof.
- Aesthetically appealing.

Watch a video
Simply scan the QR Code
and watch a video to see
SEESAW swing in action



QR Code

SPINAL CORD EXERCISER



APPLICATION

