



*“Home of Innovative & Quality
Solutions for Construction
since 1984”*

DUSTBIN



Design Patent
Applied No. 281898



OVERVIEW

Our Innovative dustbin consist of a FRP (fiber reinforced plastic) bin supported on a RCC (reinforced cement concrete) base. The FRP bin is cylindrical in shape with a semi – spherical bottom. The shape of the bottom of the bin renders the bin non – self supporting, ie. without the RCC base the FRP bin will tip over. The RCC base is designed to hold the bin in a vertical position and to prevent it from flying away due to wind and other external forces. The overall design is such that the FRP bin can be easily detached and lifted off the RCC base for the purpose of emptying the garbage.



Design patent applied No. 281898

TECHNICAL INFORMATION

- Size : Height : 750mm ; Top Diameter : 420mm
- Volume : 60 lt.
- Material ; Bin – FRP ; Base – RCC.
- Bin is provided with multiple holes at the bottom for drainage.



*“Home of Innovative & Quality
Solutions for Construction
since 1984”*

KERB STONE

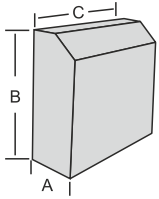




KERB STONE

TAPERED KERB STONE

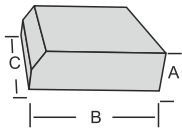
Product Code	A(mm) THICKNESS	B(mm) HEIGHT	C(mm) LENGTH
KS - 01	50/100	250	300
KS - 01A	50/100	250	900
KS - 01B	80/130	350	500
KS - 02	75/125	300	500
KS - 02A	85/125	300	500
KS - 03	75/125	300	250
KS - 03A	75/125	450	600
KS - 04	130/150	315	500
KS - 04A	60/100	300	500
KS - 05	100/150	300	300
KS - 05A	100/150	300	900
KS - 05B	50/100	450	500
KS - 06	115/200	375	400
KS - 06A	75/150	450	500
KS - 07	135/150	250	900
KS - 08	135/150	250	300
KS - 08A	90/125	300	600
KS - 18	50/100	250	600
KS - 19	50/100	300	600
KS - 19A	100/150	375	600
KS - 19B (Pimple)	90/125	300	600
KS - 21	100/150	250	600
KS - 22	100/150	250	300
KS - 23	100/150	250	150
KS - 24	60/75	200	900
KS - 25	135/150	200	900
KS - 30	150	200	600
KS - 31	150	200	300



TAPERED

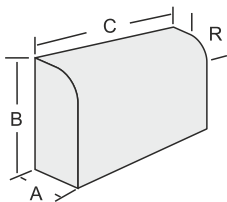
MOUNTABLE KERB STONE

Product Code	A(mm) THICKNESS	B(mm) HEIGHT	C(mm) LENGTH
MOUNTABLE	150	200	300/600



ROUNDED KERB STONE

Product Code	A(mm) THICKNESS	B(mm) HEIGHT	C(mm) LENGTH
KS - 09	150(R75)	300	300
KS - 09A	150(R75)	300	900
KS - 10	100(R50)	250	500
KS - 11	100(R50)	300	450
KS - 12	75(R37)	225	450
KS - 13	75(R37)	350	300
KS - 14 (Straight)	150(R75)	450	300
KS - 14 (Taper)	150(R75)	450	300
KS - 20	150(R25)	150	600
KS - 25 (with pocket)	150(R25)	300	600



ROUNDED

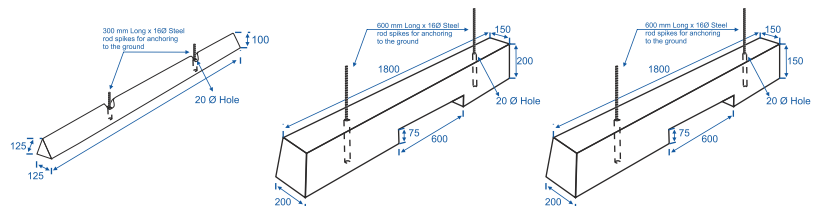
GARDEN KERB

Product Code	A(mm) THICKNESS	B(mm) HEIGHT	C(mm) LENGTH
KS - 17	50	225	500

LONG KERB / CAR STOPPER

Product Code	A(mm) THICKNESS	B(mm) HEIGHT	C(mm) LENGTH
KS - 27	125	100	2000
KS - 28	150/200	200	1800
KS - 29	150/200	150	1800

**MINIMUM
M -30
Grade
Concrete**





*“Home of Innovative & Quality
Solutions for Construction
since 1984”*

BUILDING SOLUTIONS



BALLUSTER



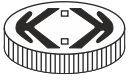
LINTEL



**BIRD
SPIKE**

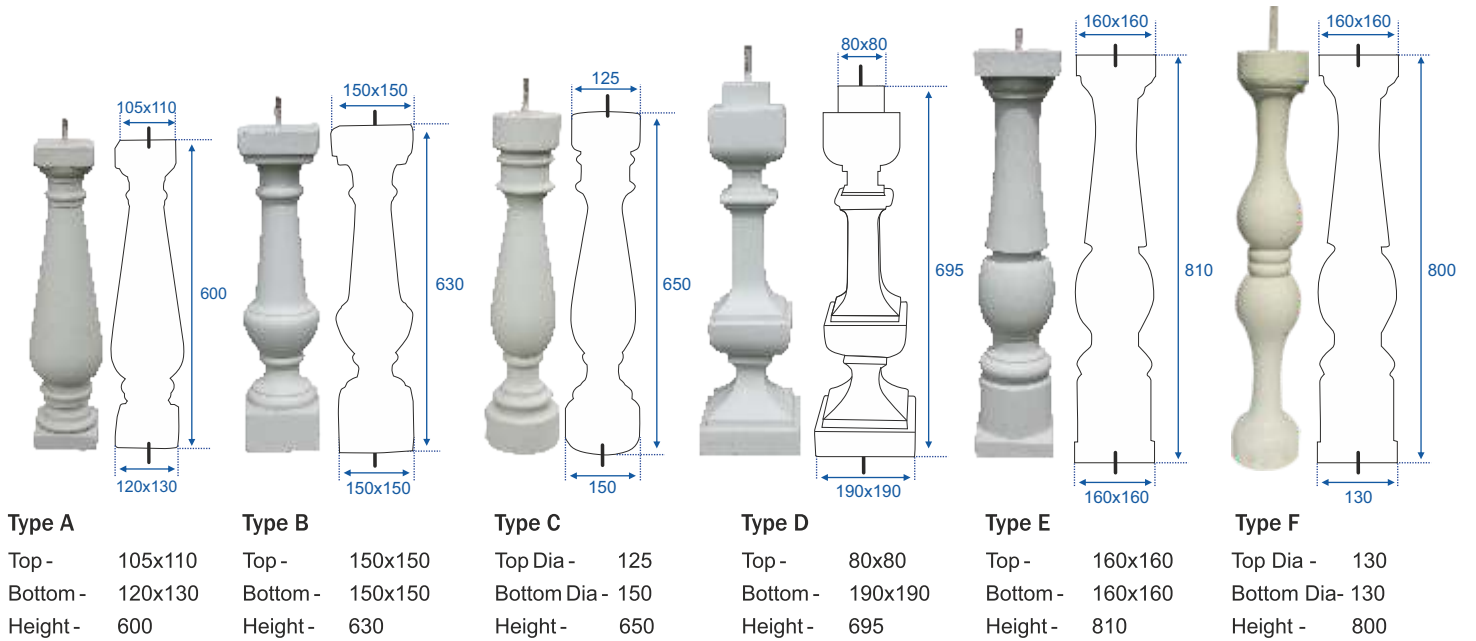


LETTERBOX



BALLUSTER

A key architectural feature on many apartments and buildings, ballusters add to the character of the building.



Ballusters can also be provided with optional top and bottom rails



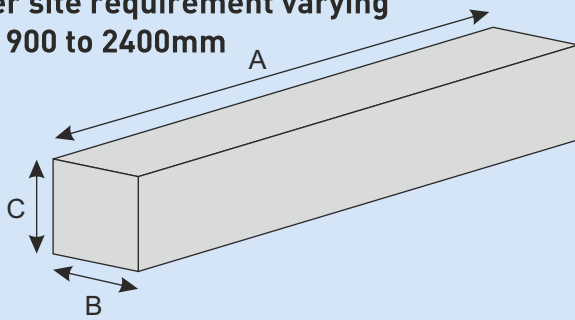


LINTEL BEAMS

We provide lintel beams for doors and windows of varying sizes. These lintel beams have been properly load tested for the span.

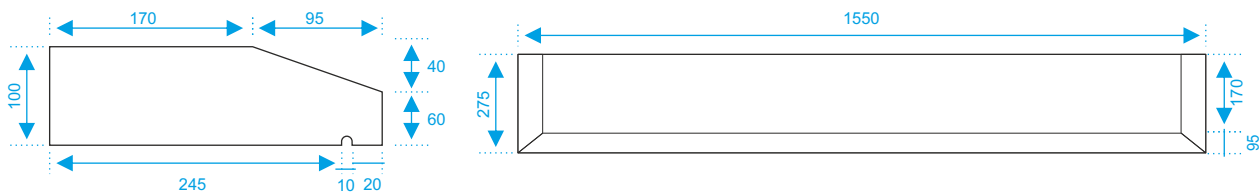


As per site requirement varying from 900 to 2400mm



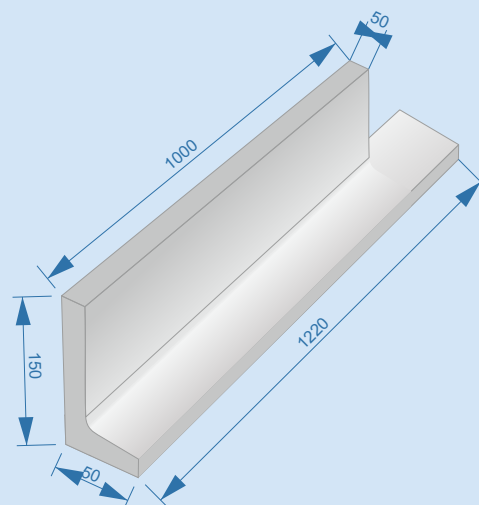
Product Code	A	B	C
LINT - A	1200	112.5/100	150
LINT - B	1400	112.5/100	150
LINT - C	1600	112.5/100	150
LINT - D	1800	112.5/100	150
LINT - E	2000	112.5/100	150
LINT - F	2400	112.5/100	150

WINDOW SILL



Use of standardized lintel beams and window sills accelerates the construction process thus reducing project cost.

STAIR





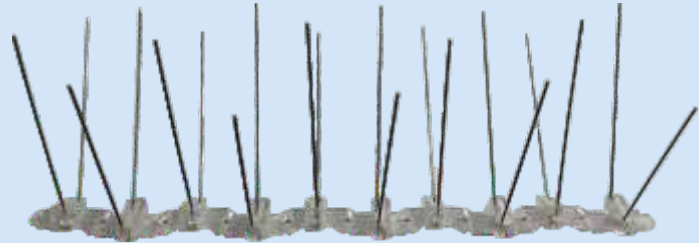
BIRD SPIKE

PRODUCT OPTIONS

Polycarbonate Bird Spike



Stainless Steel Bird Spike

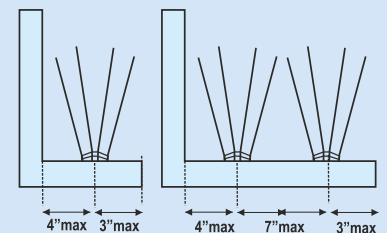


TECHNICAL INFORMATION

- Overall dimensions : 13" long, 6" wide, 5" high & covers upto 7" surface width.
 - Material : Polycarbonate
 - Each spike consists of 20 flat tipped points.
 - Provided with 1" wide 3m double side tape for easy & lasting installation.
- Overall dimensions : 13" long, 6" wide, 5" high & covers upto 7" surface width.
 - Material : SS - 304
 - Each spike consists of 20 flat tipped points.
 - Provided with 1" wide 3m double side tape for easy & lasting installation.

INSTALLATION

1. Clean the surface on which the spikes have to be installed thoroughly. There should not be any loose material.
2. Mark the area where the spikes will be installed. Keep the gap between two adjacent rows to a maximum of 7 inches.
3. Peel off the (Plastic) backing sheet from the bottom of the spike and push down firmly over the area marked in step 2. Make sure that you overhang the first strip about 1/2 inch at the end of the surface.
4. Install the next strip flush with the first strip. Use the alignment notch at the end of the strips for proper alignment. Do not leave gaps between the strip. Use the quick part seam to make adjustments to the length
5. Allow the spikes undisturbed for about an hour for initial settlement.





*“Home of Innovative & Quality
Solutions for Construction
since 1984”*

BOUNDARY WALLS & FENCES



**BOUNDARY
WALL**



FENCE



BOUNDARY WALLS & FENCES

PRECAST BOUNDARY WALL

OVERVIEW

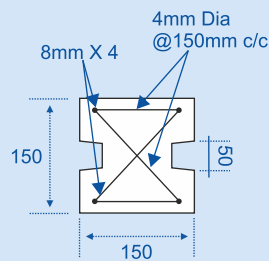
Our precast boundary wall system provides the look of a traditional brick masonry wall while at the same time providing cost effectiveness, durability, strength and ease of installation. Our products are designed to withstand harsh conditions and can be installed in fraction of the time.

TECHNICAL INFORMATION

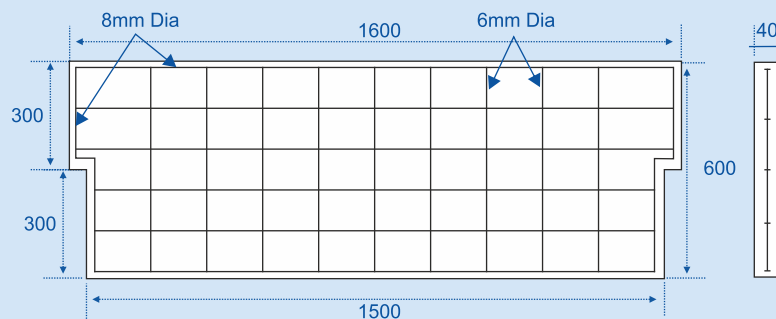
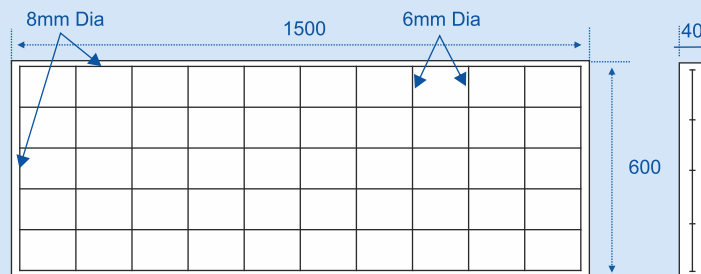
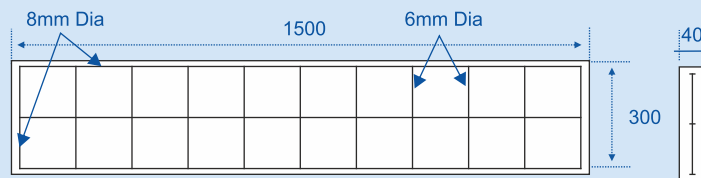
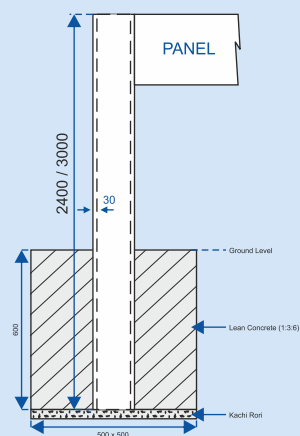
- Brick Texture on one or both sides with or without integral color.
- The post is embedded in ground up to a depth of 2 ft
- Posts are set 1.615 m to 1.665 m on center based on size of the post.
- Panels are stacked one on top of the other
- Concrete compressive strength of M-30 at 28 days.
- Steel reinforced posts & panels.
- Boundary walls can be built in height ranging from 6ft to 8ft above ground.
- Concertina coil can be optionally attached to the top of the post.

Option 1

40mm THICK WALL
6ft, 7ft and 8ft height



POLE:
3000x150x150 or
2400x150x150



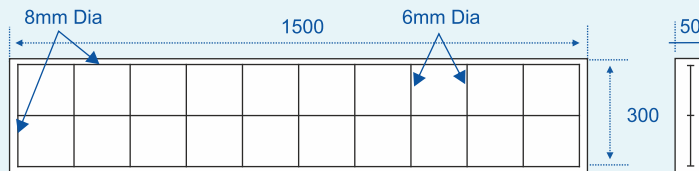
PANEL: 1500X300X40 or 1500X600X40
FINISH: BRICK FINISH ON ONE OR BOTH SIDES
BOTH SIDES AVAILABLE IN 300 mm HEIGHT ONLY.



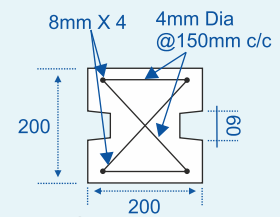
BOUNDARY WALLS & FENCES

Option 2

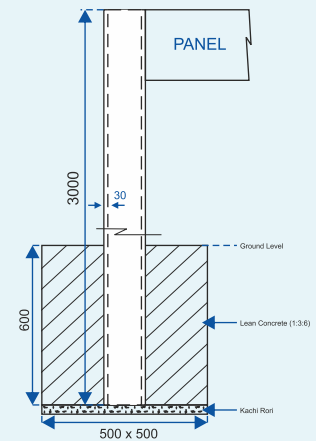
50mm THICK WALL
8ft height



PANEL: 1500X300X50
FINISH: BRICK FINISH ON ONE FACE & TROWEL FINISH ON OTHER

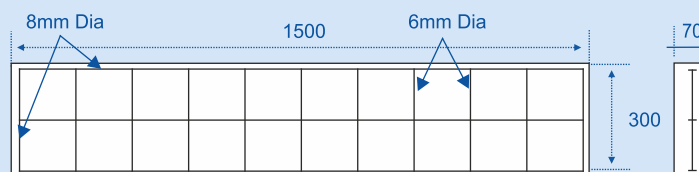


POLE:
3000x200x200

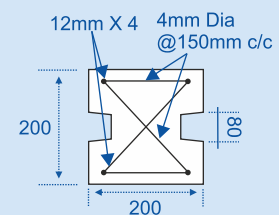


Option 3

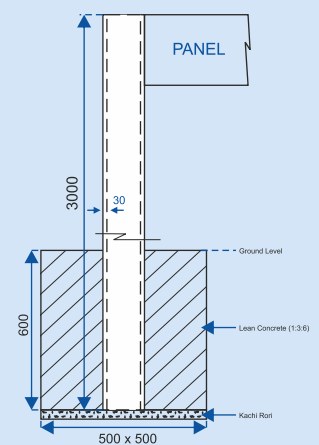
70mm THICK WALL
8ft height



PANEL: 1500X300X70
FINISH: BRICK FINISH ON ONE FACE & TROWEL FINISH ON OTHER, OR BRICK FINISH ON BOTH FACES



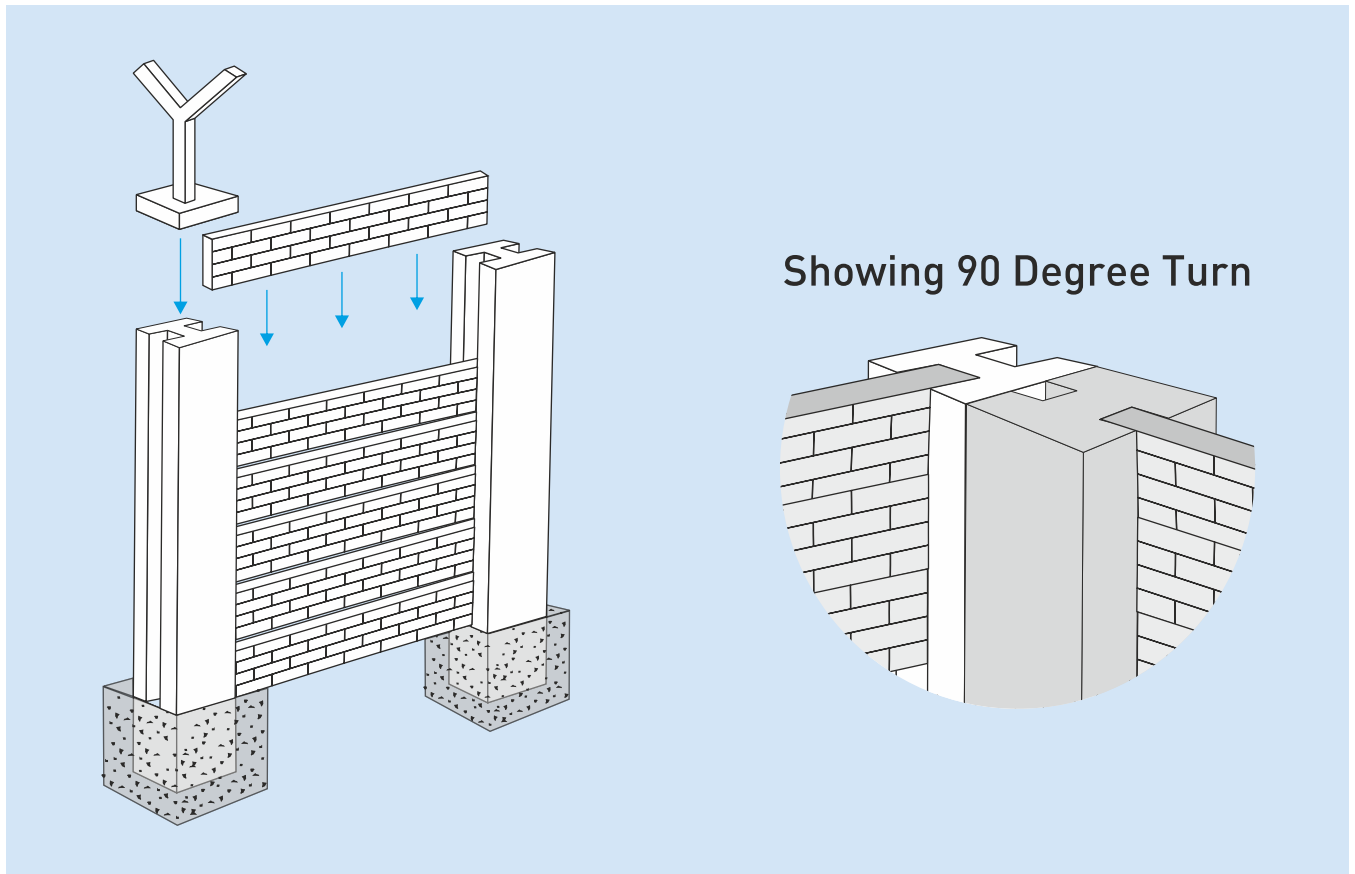
POLE:
3000x200x200





BOUNDARY WALLS & FENCES

PRECAST BOUNDARY WALL INSTALLATION



1. A pit is dug with a depth of 2ft and dia of minimum 300mm.
2. The bottom of the pit is leveled by using kachi rodi.
3. The post is inserted in the pit and the gap is filled with lean concrete. (1:3:6 mix design)
4. The panels are lowered horizontally into the grooves of two adjacent poles.
5. While installing poles it is important to ensure verticality, accurate center to center distance and that the posts are in the same vertical plane.

[Watch a video](#)





BOUNDARY WALLS & FENCES



Post incorporates light fixture.



BOUNDARY WALLS & FENCES

FENCE 2.0

Our new product Fence 2.0 is a new 2 meter high precast concrete fence meant for highways and roads. It is a superior alternative to traditionally used W- Beam rail guards which are used along national highways and other roads.

It provides an excellent barrier to deter human beings and animals from crossing over. Unlike iron fence, it is cheaper, theft proof, and maintenance proof.

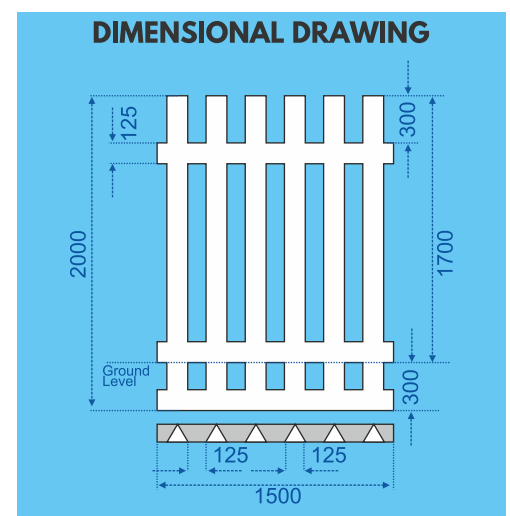


“Reflective Tape can be affixed to this fence for night time visibility

Concrete Fence as an alternative to traditionally used W- Beam rail guards along national highways

SALIENT FEATURES

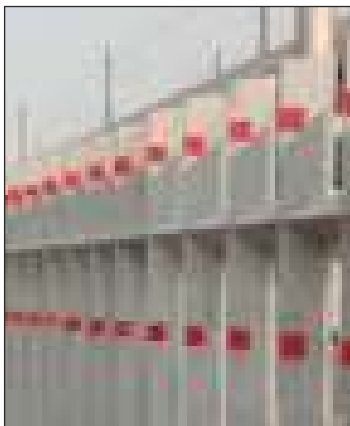
- Not possible to cross over by normal human beings or animals & hence less chances of accidents
- Much cheaper than conventional steel railings or galvanized guardrails
- Theft free because of nil scrap value
- Maintenance free
- No glare from traffic coming from opposite direction
- Unique Erection anchoring technology in normal ground (without concrete)
- which will reduce impact on vehicle & its occupants since impact energy will be absorbed by the ground while bending
- Since erected in ground, ground can be used for plantation /greenery
- Can replace W-beam galvanized steel guard rails on highways





BOUNDARY WALLS & FENCES

FENCE 2.0 CAN BE MOULDED IN BOTH SEE THROUGH AND OPAQUE OPTIONS

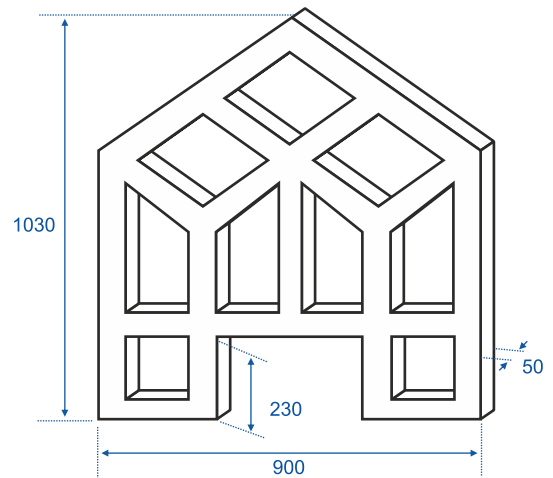




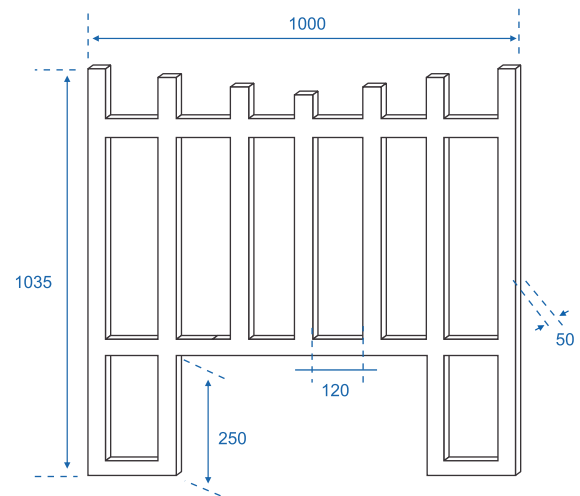
BOUNDARY WALLS & FENCES

FENCES

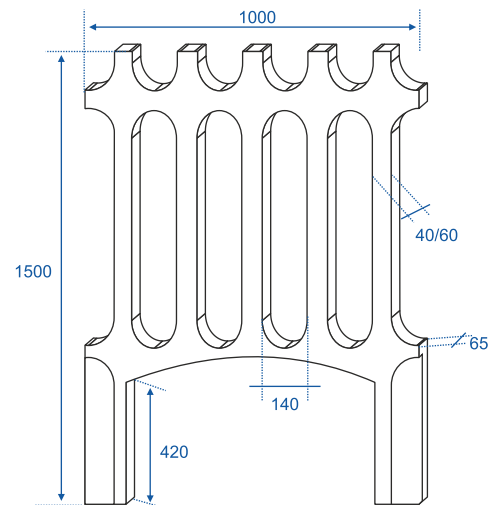
FENCE DIAMOND



FENCE "V" SHAPE NEW



FENCE MAJESTIC





*“Home of Innovative & Quality
Solutions for Construction
since 1984”*

TREE GUARD & TREE SURROUND



**TREE
GUARD**

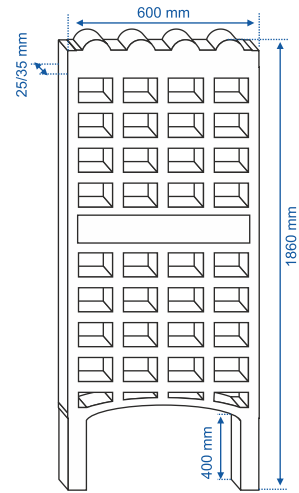


**TREE
SURROUND**

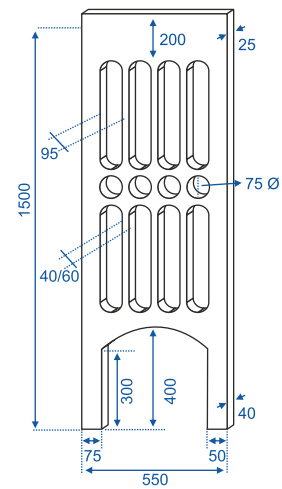


TREE GUARD & TREE SURROUND

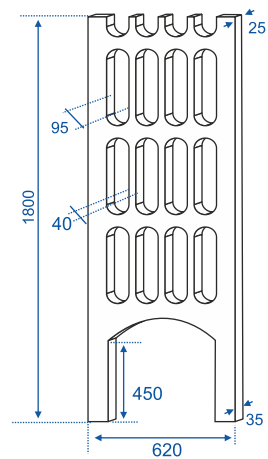
TG - 01



TG - 02



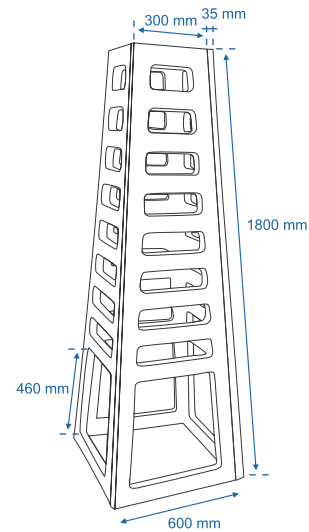
TG - 03



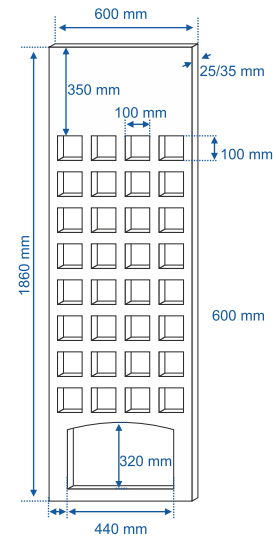


TREE GUARD & TREE SURROUND

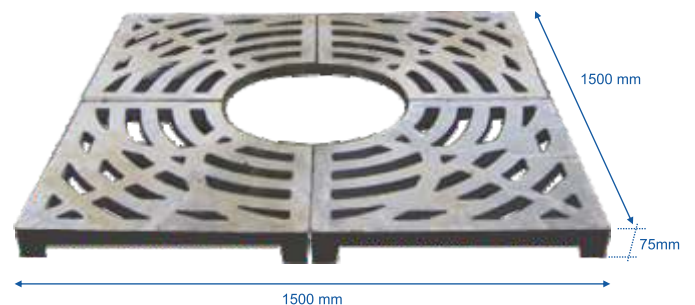
TG - 04



TG - 05



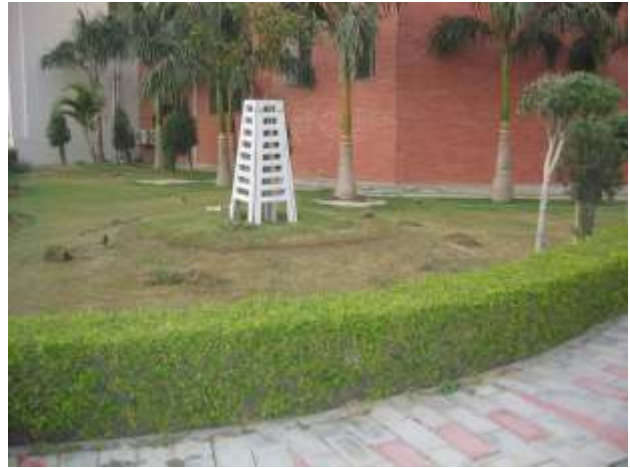
TREE SURROUND



Use of tree surround not only adds to the aesthetic appeal of the environment but also provides the necessary protection to both the young tree and its soil. A tree surround will also add to the space available for human traffic.



TREE GUARD & TREE SURROUND





*“Home of Innovative & Quality
Solutions for Construction
since 1984”*

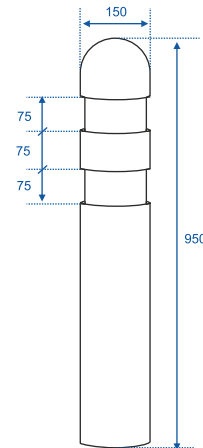
BOLLARDS



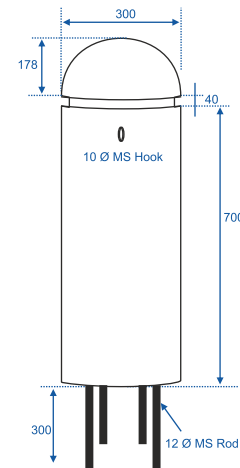


BOLLARDS

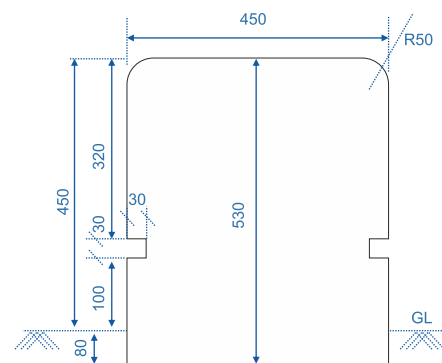
CYLINDRICAL BOLLARD TYPE 1



CYLINDRICAL BOLLARD TYPE 2



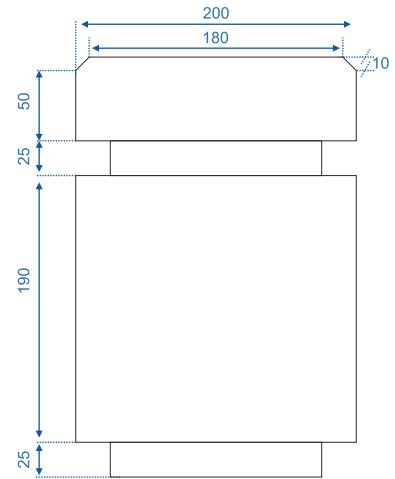
CYLINDRICAL BOLLARD TYPE 3



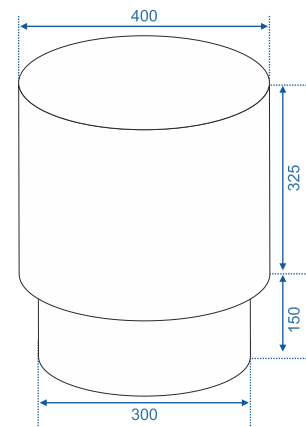


BOLLARDS

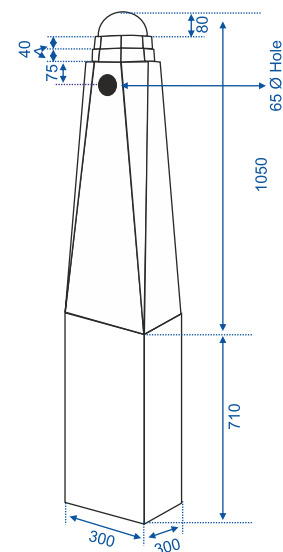
CYLINDRICAL BOLLARD TYPE 4



CYLINDRICAL BOLLARD TYPE 5



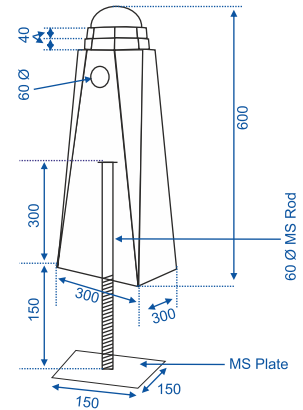
INDIA GATE BOLLARD



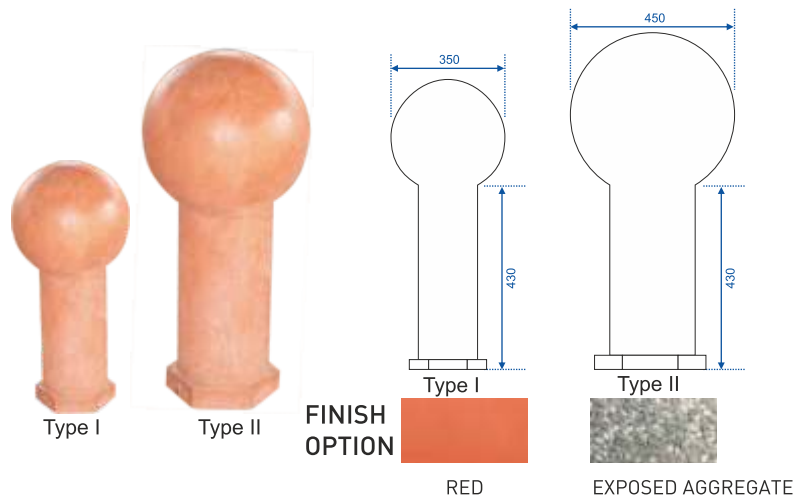


BOLLARDS

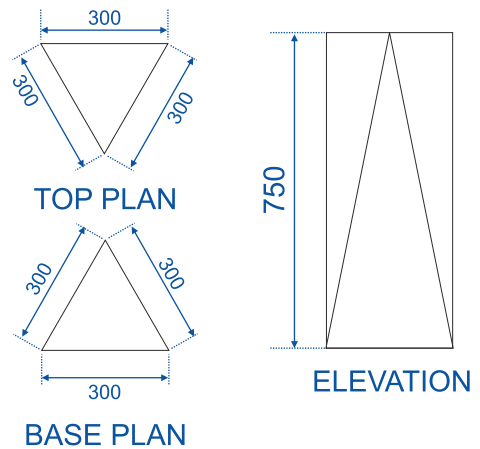
MINI INDIA GATE BOLLARD



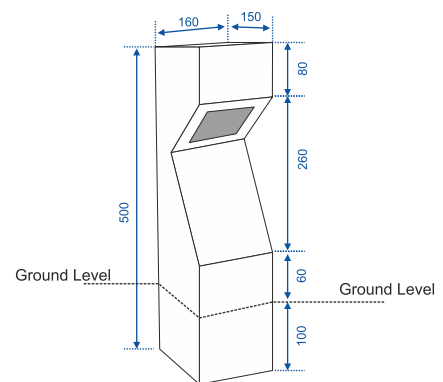
SPHERICAL BOLLARD



TRIANGLE BOLLARD



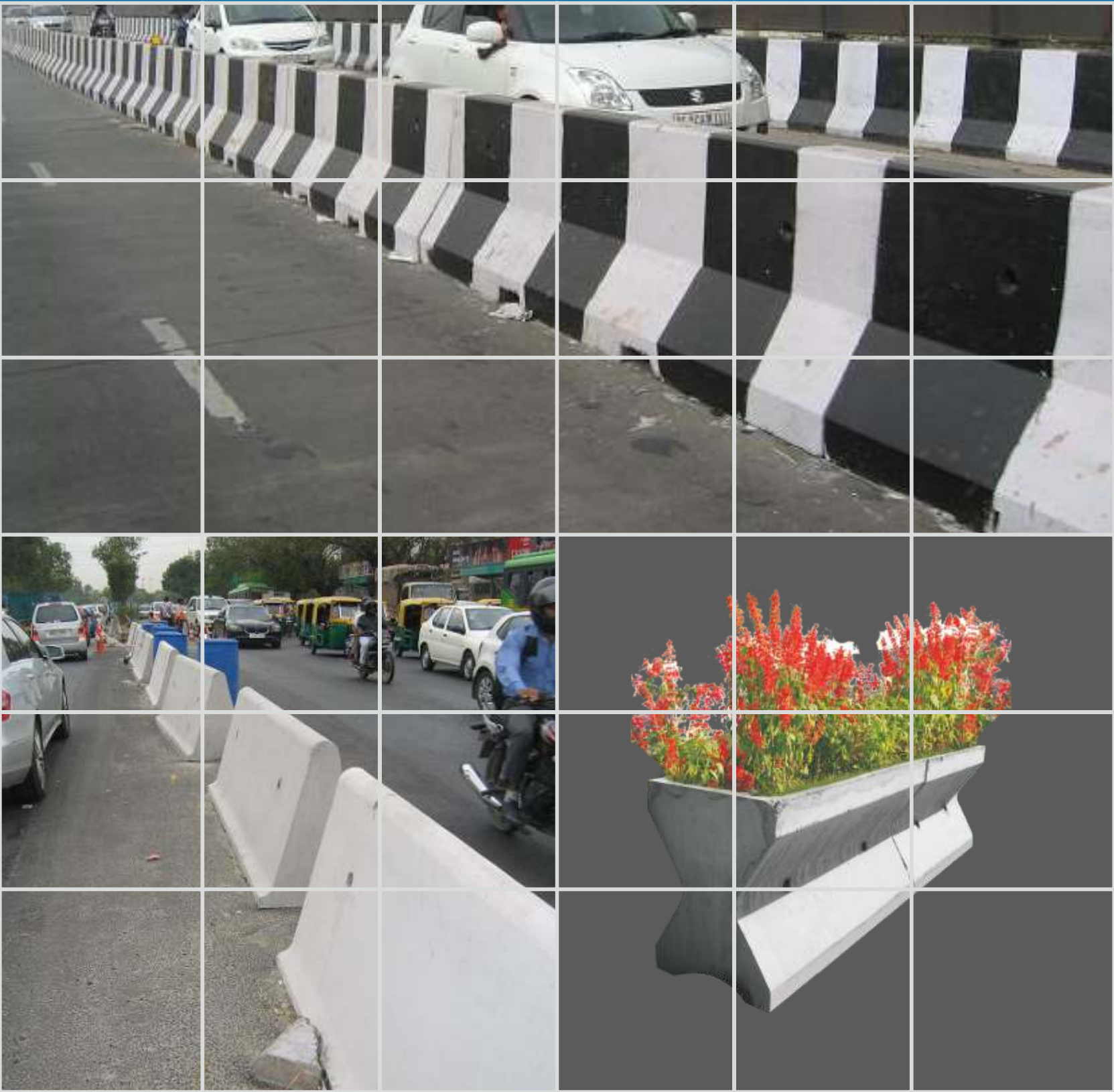
BOLLARD WITH LIGHT





*“Home of Innovative & Quality
Solutions for Construction
since 1984”*

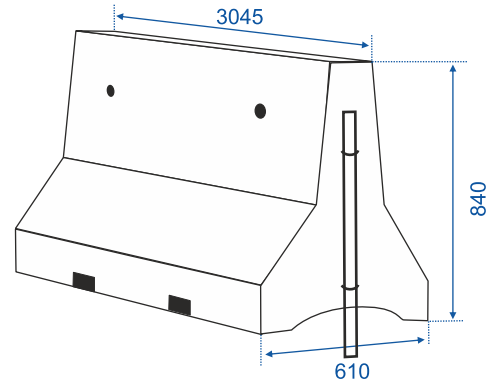
ROAD BARRIERS



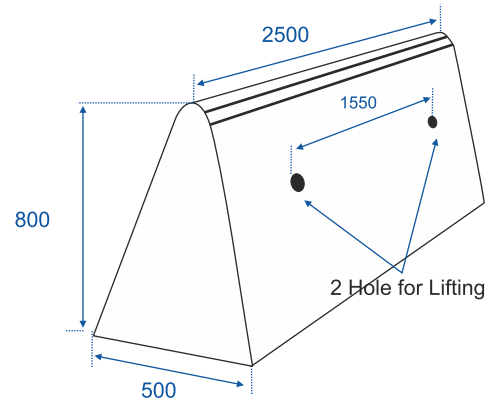


ROAD BARRIERS

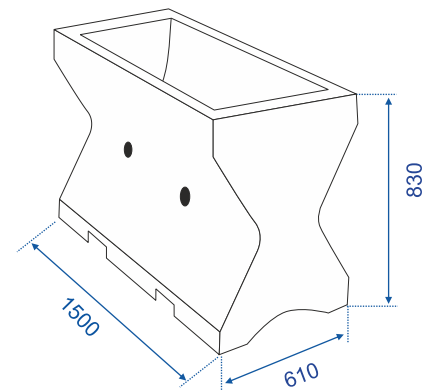
JERSEY BARRIER



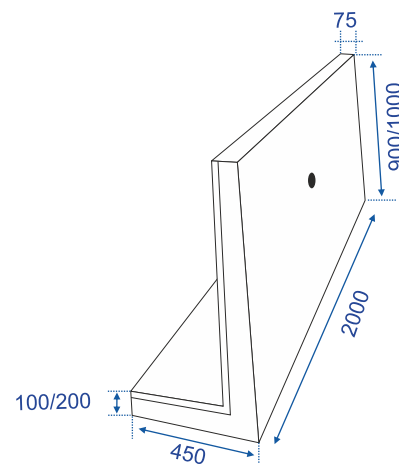
CENTRAL BARRIER



JERSEY BARRIER CUM FLOWER POT



L Shape





*“Home of Innovative & Quality
Solutions for Construction
since 1984”*

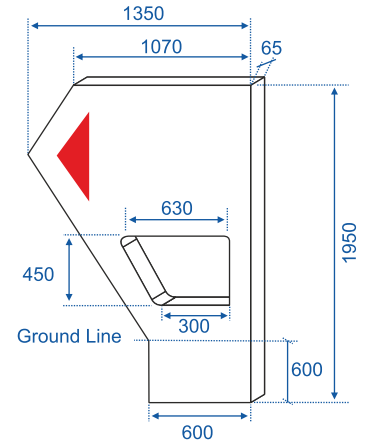
ROAD SIGNAGE



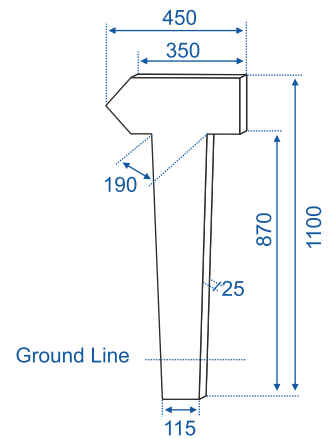


ROAD SIGNAGE

IND - 01

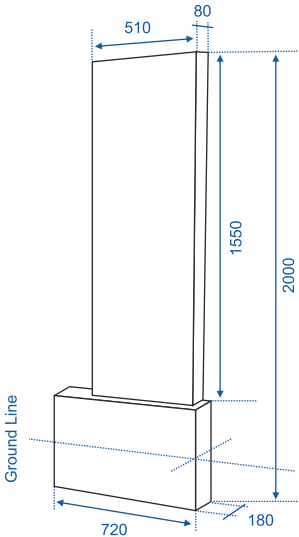


IND - 02

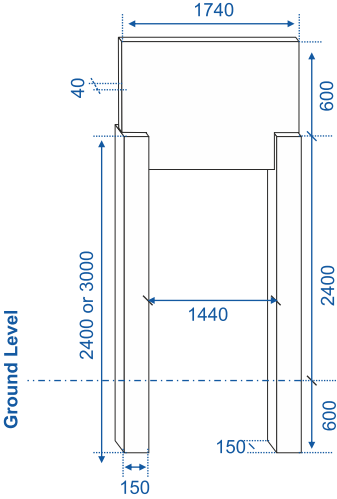


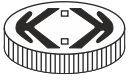
ROAD SIGNAGE

IND - 03



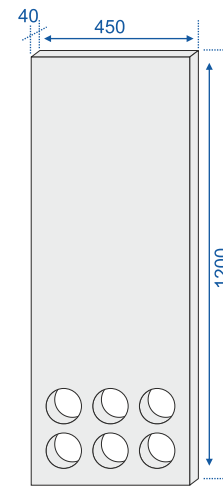
IND - 04



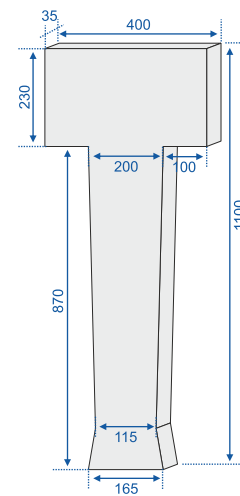


ROAD SIGNAGE

IND - 05



IND - 06



IND - 07

